

Model IURS-2-04-RC-D-CL

PROJECT: _____

ITEM NUMBER: _____ **QTY:** _____

UNDERBAR REFRIGERATOR WITH DRAWERS

MODELS

REMOTE UNITS

- IURR-1-02 IURR-3-06
- IURR-2-04 IURR-4-08

SELF-CONTAINED UNITS

- IURS-1-02 IURS-3-06
- IURS-2-04 IURS-4-08

STANDARD FEATURES

- All Heliarc welded construction
- All 18-Gauge, Type 304 stainless steel interior and exterior
- Easy clean 3/8" radius interior corners
- CFC-Free "shot-in-place" insulation
- Polypropylene breaker strip is foamed-locked in-place
- High compression magnetic vinyl door and gasket
- Pre-wired electrical conduit is internally installed within inner and outer walls
- Blower coil with expansion valve, thermostat and solenoid valves (on remote units)
- Self-contained units supplied with compressor compartment with condensing unit, condensate expansion pan, cord and plug
- 14-Gauge, stainless steel drawer track system with 2" skate wheels
- Drainboard pitched with brass drain
- Custom sized pans

MODEL CONFIGURATION

Example: **IURS-2-04-RC-CL**



1	RR = Remote RS = Self-Contained
2	1 = One Section (Two Drawers) 2 = Two Sections (Four Drawers) 3 = Three Sections (Six Drawers) 4 = Four Sections (Eight Drawers)
3	02 = Two Drawers (One Sections) 04 = Four Drawers (Two Sections) 06 = Six Drawers (Three Sections) 08 = Eight Drawers (Four Sections)
4	(On Self-Contained Units) LC = Condensing Compartment on Left Side RC = Condensing Compartment on Right Side

OPTIONS

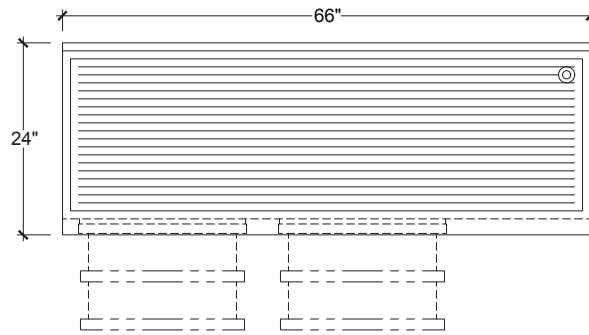
- CL** 6" high stainless steel adjustable legs
- CS4** 4" Heavy Duty Casters
- CS6** 6" Heavy Duty Casters
- D** Drainboard Top with 8" Backsplash
- DT** Dual Temp
- F** Freezer
- KR** Kick Rail
- RW** Red Wine
- SM** S/S Top Marine All Around
- ST** S/S Top
- WW** White Wine
- M** Modified - Custom



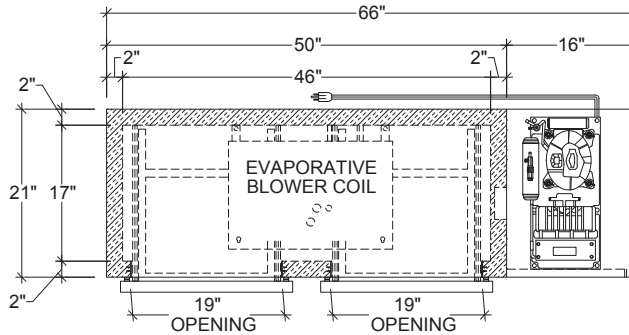
INFINITY KITCHEN PRODUCTS, INC. *Proudly Made in America*

7750 Scout Ave. • Bell Gardens, CA 90201
 Toll Free: (866) 349-0005 • Ph: (562) 806-5771 • Fax: (562) 806-6771
 infinitystainless.com • customerservice@infinitystainless.com

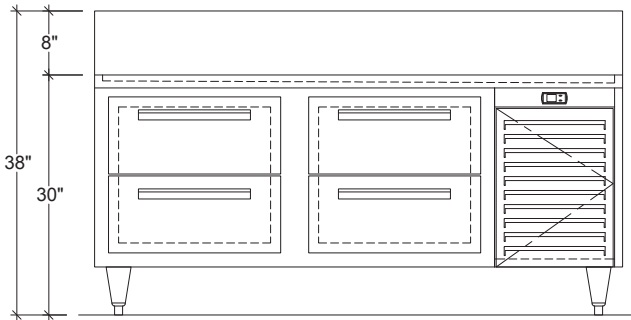
UNDERBAR REFRIGERATOR WITH DRAWERS



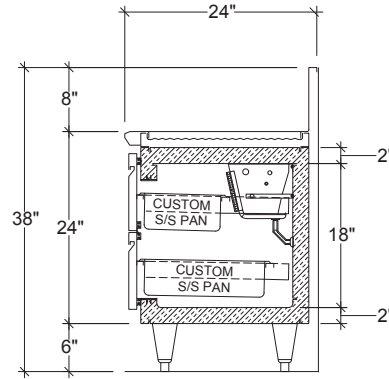
PLAN VIEW



PLAN VIEW



TYPICAL ELEVATION



SECTION

MODEL SHOWN: IURS-2-04-RC-D-CL

REMOTE UNITS

MODEL	LENGTH	VOLTS	AMPS	PHASE	BTU'S	WEIGHT
IURR-1-02	25"	115v	1.67	1ph	500	175
IURR-2-04	50"	115v	2.1	1ph	1000	340
IURR-3-06	75"	115v	2.9	1ph	1500	480
IURR-4-08	100"	115v	4.48	1ph	2000	550

SELF-CONTAINED UNITS

MODEL	LENGTH	H.P	VOLTS	AMPS	PHASE	BTU'S	WEIGHT
IURS-1-02	41"	1/4 HP	115v	8.55	1ph	500	295
IURS-2-04	66"	1/4 HP	115v	8.98	1ph	1000	465
IURS-3-06	91"	1/4 HP	115v	9.78	1ph	1500	605
IURS-4-08	116"	1/3 HP	115v	11.36	1ph	2000	675

INFINITY KITCHEN PRODUCTS, INC.

7750 Scout Ave. • Bell Gardens, CA 90201
 Toll Free: (866) 349-0005 • Ph: (562) 806-5771 • Fax: (562) 806-6771
 infinitystainless.com • customerservice@infinitystainless.com

*Proudly Made
 in America*