



Model ISU2S-24

STANDARD FEATURES

- All Heliarc welded construction
- All 18-Gauge, Type 304 stainless steel
- Attractive high polished bullnose edge-to-front
- 1-5/8" diameter, 16-Gauge stainless steel legs
- Adjustable stainless steel bullet feet
- Heavy duty stainless steel gussets welded to 14-Gauge stainless steel channel supports
- Drainboards have 4" wide 18-Gauge, Type 304, steel support channels and run full length and depth of drainboards
- Drainboard top has continuous corrugation
- Drainboards pitch positively into bowls
- Deck mounted faucet with 12" swing spout
- Sink bowls are 18-Gauge, Type 304 stainless steel
- Standard bowl size 10"x 14"x 10" deep with 1-1/2" stainless steel drain and standpipe overflow
- Deck mounted faucet with 12" swing spout

INFINITY KITCHEN PRODUCTS, INC.

7750 Scout Ave. • Bell Gardens, CA 90201
 Toll Free: (866) 349-0005 • Ph: (562) 806-5771 • Fax: (562) 806-6771
 infinitystainless.com • customerservice@infinitystainless.com

PROJECT: _____
ITEM NUMBER: _____ **QTY:** _____

2 COMPARTMENT SINK

2 COMPARTMENT SINK

MODELS

'S' SERIES 20-1/2" DEEP

- ISU2S-24 ISU2S-36R ISU2S-48L
- ISU2S-36L ISU2S-48 ISU2S-48R

'D' SERIES 24" DEEP

- ISU2D-24 ISU2D-36R ISU2D-48L
- ISU2D-36L ISU2D-48 ISU2D-48R

OPTIONS

- CB** Cabinet Base - 1 Door
- EEF** Electric Eye Faucet
- HS** Hot Spray Faucet with Adapter Ring
- LS** Lift Out Strainer Basket
- LSS** Left Side Splash
- OCB** Open Cabinet Base
- RSS** Right Side Splash
- SF** Special Brand Faucet
- TR** Towel Rail
- USS** 'S' Series Undershef
- USD** 'D' Series Undershef
- M** Modified - Custom

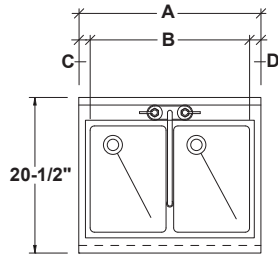


CONFORMS TO ANSI/NSF STD 2

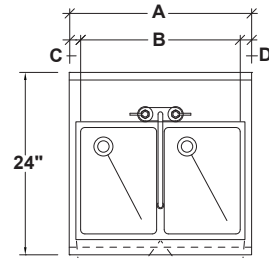
Proudly Made in America

ISU2S/ISU2D • 63

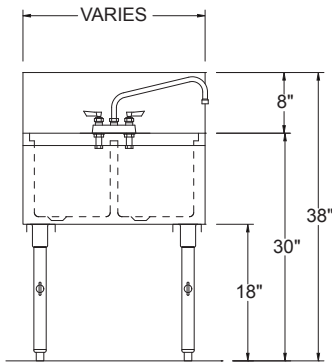
2 COMPARTMENT SINK



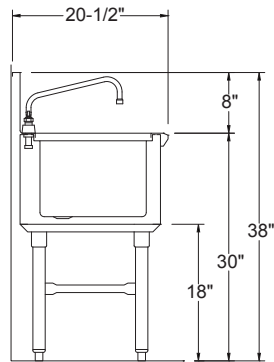
'S' SERIES PLAN
(ISU2S-24 SHOWN)



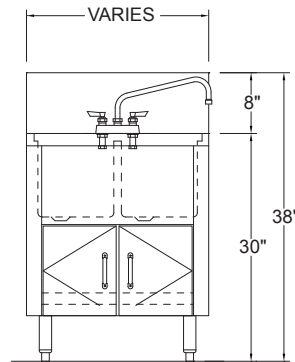
'D' SERIES PLAN
(ISU2D-24-CB SHOWN)



'S' SERIES ELEVATION

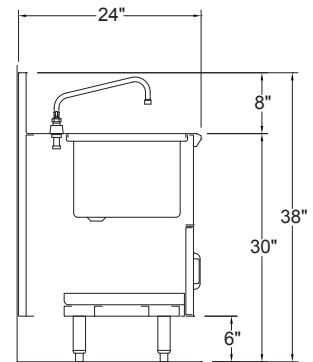


'S' SERIES SECTION



'D' SERIES ELEVATION

(WITH OPTIONAL CABINET BASE)



'D' SERIES SECTION

'S' & 'D' SERIES 2 COMPARTMENT SINKS WITH 10" x 14" x 10" BOWLS

| 'S' MODEL NO. | 'D' MODEL NO. | A | B | C | D | DRAINBOARD SIDE | 'S' WEIGHT | 'D' WEIGHT |
|---------------|---------------|-----|-----|---------|---------|-----------------|------------|------------|
| ISU2S-24 | ISU2D-24 | 24" | 21" | 1-1/2" | 1-1/2" | N/A | 90 | 95 |
| ISU2S-36L | ISU2D-36L | 36" | 21" | 13-1/4" | 1-3/4" | LEFT | 100 | 110 |
| ISU2S-36R | ISU2D-36R | 36" | 21" | 1-3/4" | 13-1/4" | RIGHT | 100 | 110 |
| ISU2S-48 | ISU2D-48 | 48" | 21" | 13-1/2" | 13-1/2" | LEFT & RIGHT | 130 | 140 |
| ISU2S-48L | ISU2D-48L | 48" | 21" | 25-1/4" | 1-3/4" | LEFT | 130 | 140 |
| ISU2S-48R | ISU2D-48R | 48" | 21" | 1-3/4" | 25-1/4" | RIGHT | 130 | 140 |

| UTILITIES | | |
|------------|------------|------------|
| COLD WATER | HOT WATER | DRAIN |
| 1 x 1-1/2" | 1 x 1-1/2" | 1 x 1-1/2" |

INFINITY KITCHEN PRODUCTS, INC.

7750 Scout Ave. • Bell Gardens, CA 90201
 Toll Free: (866) 349-0005 • Ph: (562) 806-5771 • Fax: (562) 806-6771
 infinitystainless.com • customerservice@infinitystainless.com

*Proudly Made
 in America*