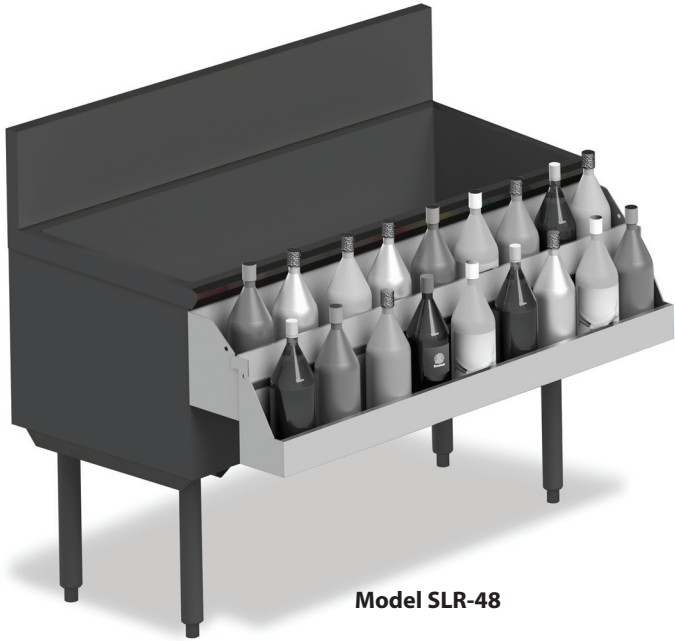




PROJECT: \_\_\_\_\_

ITEM NUMBER: \_\_\_\_\_ QTY: \_\_\_\_\_

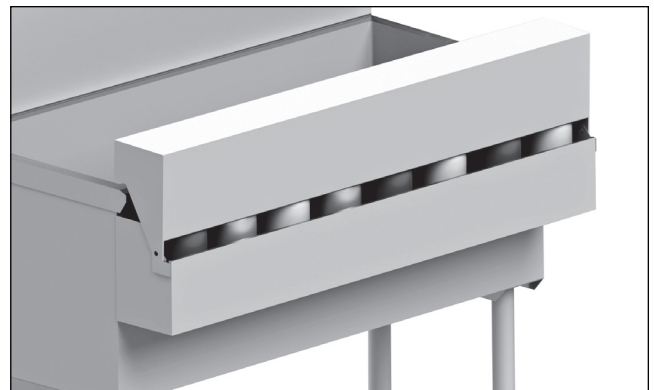
## SPEEDLOCK RAIL



Model SLR-48

### MODELS

- SLR-12       SLR-30       SLR-48
- SLR-18       SLR-36
- SLR-24       SLR-42



Shown in locked position

### STANDARD FEATURES

- All Heliarc welded construction
- All 18-Gauge, Type 304 stainless steel
- Removable for ease of cleaning
- Keyhole with welded stud mounted on front apron
- Single speedrail with integrated locking cover, coverts to double speedrail when opened



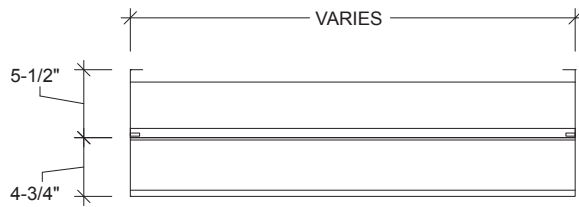
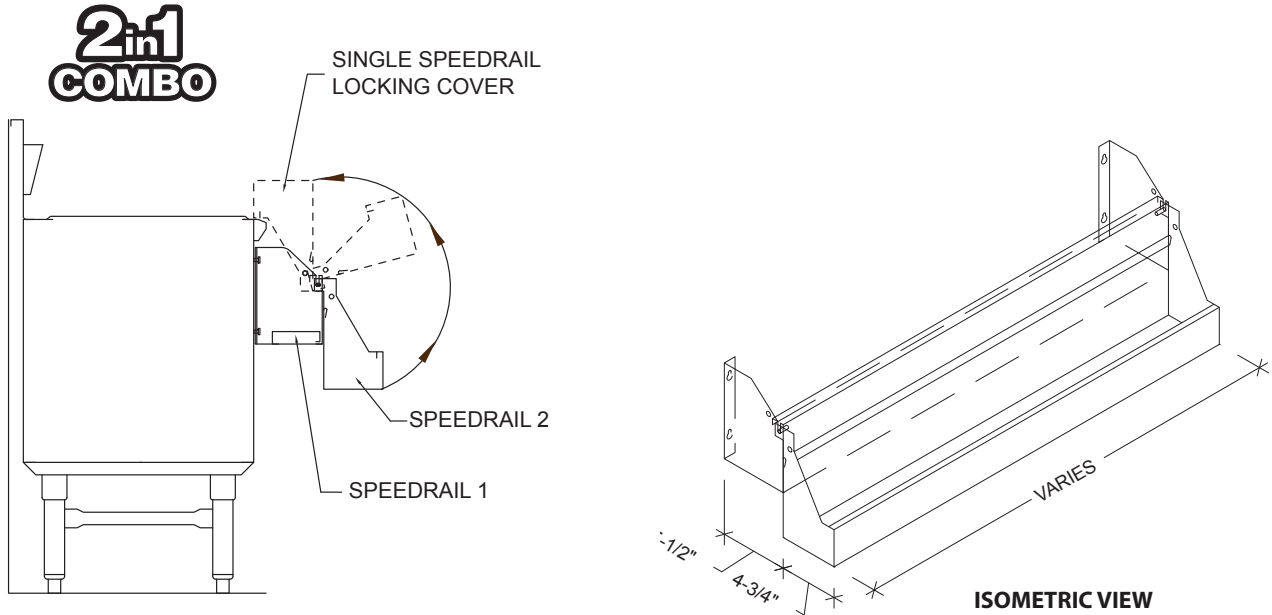
CONFORMS TO ANSI/NSF STD 2

### INFINITY KITCHEN PRODUCTS, INC.

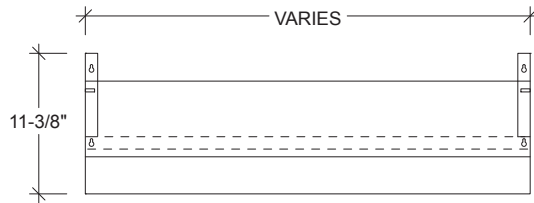
7750 Scout Ave. • Bell Gardens, CA 90201  
 Toll Free: (866) 349-0005 • Ph: (562) 806-5771 • Fax: (562) 806-6771  
 infinitystainless.com • customerservice@infinitystainless.com

Proudly Made in America

# SPEEDLOCK RAIL



**PLAN VIEW**



**ELEVATION**

SPEEDLOCK RAIL		
MODEL NO.	LENGTH	APROX. BOTTLE CAPACITY
SLR-12	12"	3
SLR-18	18"	5
SLR-24	24"	6
SLR-30	30"	8
SLR-36	36"	9
SLR-42	42"	10
SLR-48	48"	13

**INFINITY KITCHEN PRODUCTS, INC.**

7750 Scout Ave. • Bell Gardens, CA 90201  
 Toll Free: (866) 349-0005 • Ph: (562) 806-5771 • Fax: (562) 806-6771  
 infinitystainless.com • customerservice@infinitystainless.com

*Proudly Made  
 in America*