



**PROJECT:** \_\_\_\_\_

**ITEM NUMBER:** \_\_\_\_\_ **QTY:** \_\_\_\_\_



**Model ISP-60 shown with BLN6 beverage line notch**

## SPEED POURS

### MODELS

#### WITHOUT COLD PLATE

- ISP-48       ISP-60       ISP-72

#### WITH 10 CIRCUIT SEALED IN COLD PLATE

- ISP-48-P10       ISP-60-P10       ISP-72-P10

### OPTIONS

- BLN6**      6" Beverage Line Notch
- EEF**      Electric Eye Faucet
- IMF**      Ice melt spray faucet
- LC**      Locking Cover for Speed Rail
- LSS**      Left Side Splash
- PB**      Perforated False Bottom (on non-coldplate models)
- PT**      Pass Thru
- RSS**      Right Side Splash
- SC**      Stainless Steel Sliding Cover
- M**      Modified - Custom

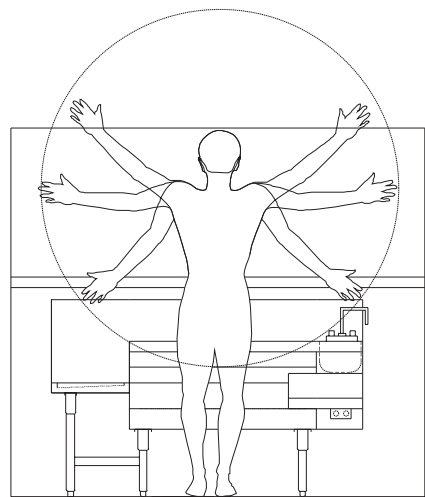
### STANDARD FEATURES

- All Heliarc welded construction
- All 18-Gauge, Type 304 stainless steel
- Attractive high polished bullnose edge-to-front
- Easy clean bin with 3/8" radius interior corners
- 1"x 3" brass drain
- CFC-Free "shot-in-place" insulation
- Adjustable stainless steel bullet feet
- 12-1/2" deep ice bin
- Ice bin divider
- Heavy duty stainless steel gussets welded to 14-gauge stainless steel channel support
- Separate bottle well are made of hard black plastic and sit in a removable sealed stainless steel pan
- Removable mixer blender shelf
- 15" wide drop down glass storage drainboard
- Tray storage shelf below
- 6" x 9" dump sink with lift-out stainless steel strainer
- Premium faucet
- Condiment rail with stainless steel 1/9th pans
- Hidden electrical box (outlet by other)
- Double speedrail



### INFINITY KITCHEN PRODUCTS, INC.

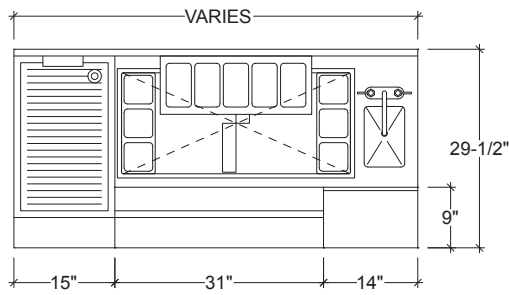
7750 Scout Ave. • Bell Gardens, CA 90201  
 Toll Free: (866) 349-0005 • Ph: (562) 806-5771 • Fax: (562) 806-6771  
 infinitystainless.com • customerservice@infinitystainless.com



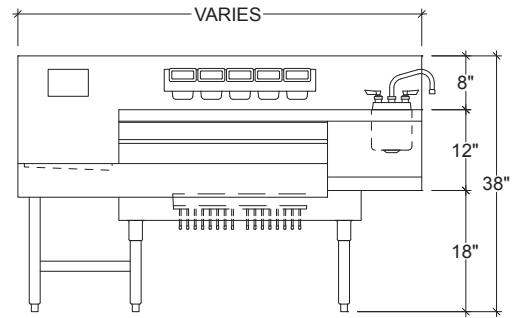
**Concentrates all the essential pouring activity into one compact central area for optimal efficiency.**

*Proudly Made in America*

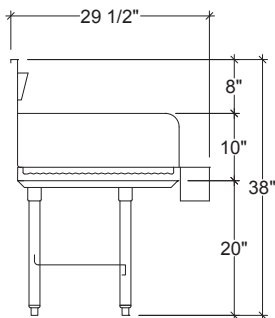
# SPEED POURS



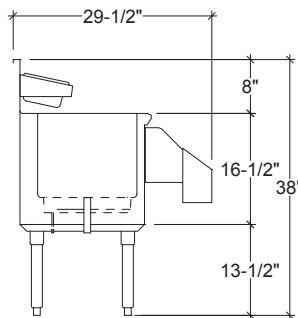
**TYPICAL PLAN VIEW**



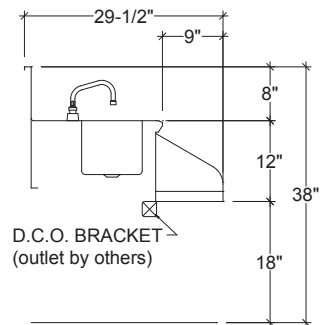
**FRONT ELEVATION**



**SECTION THRU DRAINBOARD**



**SECTION THRU ICE CHEST**



**SECTION MIXER BLENDER STATION**

29-1/2" DEEP				
MODEL NO.	LENGTH	DEPTH	BLENDER CAPACITY	ICE CAPACITY
ISP-48	48"	29-1/2"	2	86 lbs.
ISP-60	60"	29-1/2"	2	130 lbs.
ISP-72	72"	29-1/2"	2	173 lbs.

29-1/2" DEEP WITH 10 CIRCUIT COLD PLATE				
MODEL NO.	LENGTH	DEPTH	BLENDER CAPACITY	ICE CAPACITY
ISP-48-P10	48"	29-1/2"	2	86 lbs.
ISP-60-P10	60"	29-1/2"	2	130 lbs.
ISP-72-P10	72"	29-1/2"	2	173 lbs.

UTILITIES			
COLD WATER	HOT WATER	SINK DRAIN	ICE BIN DRAIN
1 x 1/2" COLD	1 x 1/2" HOT	1 x 1-1/2"	1 x 1"

**INFINITY KITCHEN PRODUCTS, INC.**

7750 Scout Ave. • Bell Gardens, CA 90201  
 Toll Free: (866) 349-0005 • Ph: (562) 806-5771 • Fax: (562) 806-6771  
 infinitystainless.com • customerservice@infinitystainless.com

*Proudly Made  
 in America*