



Model ISGT-25-L

PROJECT: _____
ITEM NUMBER: _____ QTY: _____

SOILED GLASS WASHING STATION

SOILED GLASS WASHING STATION

MODELS

- ISGT-25

OPTIONS

- EEF** Electric Eye Faucet
- L** Left Side Sink
- LSS** Left Side Splash
- R** Right Side Sink
- RSS** Right Side Splash
- M** Modified - Custom

STANDARD FEATURES

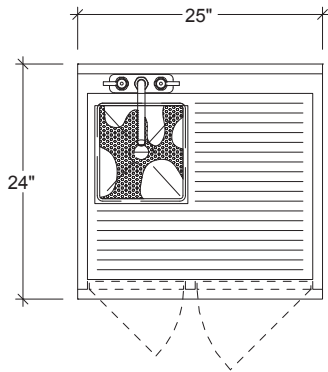
- All Heliarc welded construction
- All 18-Gauge, Type 304 stainless steel
- Attractive high polished bullnose edge-to-front
- Drainboards have 4" wide 18-Gauge, Type 304, steel support channels and run full length and depth of drainboards
- Drainboard top has continuous corrugation, recessed and pitched toward sink
- Drainboards with sink bowl include a premium faucet and 1-1/2" drain
- Doors are double skin 18-Gauge, Type 304, stainless steel
- Doors are mounted on heavy duty mullions with stainless steel pin hinges
- Cabinet base for storage of detergent products and trash chute
- Access chases at bottom, rear for detergent lines
- Attractive heavy duty door pulls



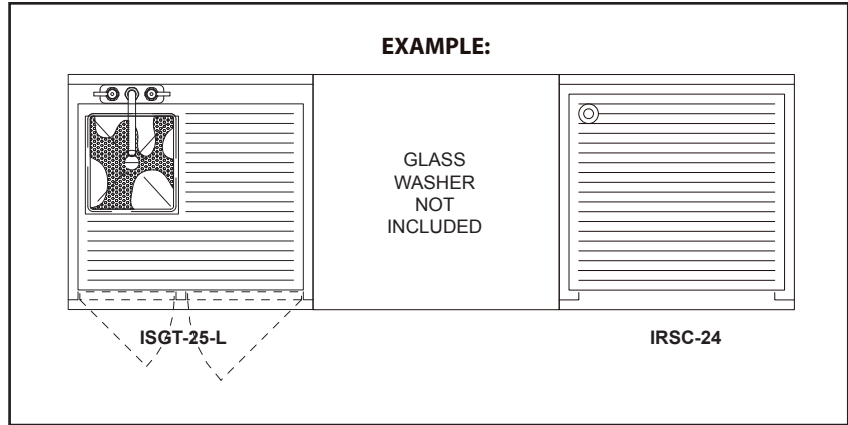
INFINITY KITCHEN PRODUCTS, INC.

7750 Scout Ave. • Bell Gardens, CA 90201
 Toll Free: (866) 349-0005 • Ph: (562) 806-5771 • Fax: (562) 806-6771
 infinitystainless.com • customerservice@infinitystainless.com

SOILED GLASS WASHING STATION



PLAN VIEW

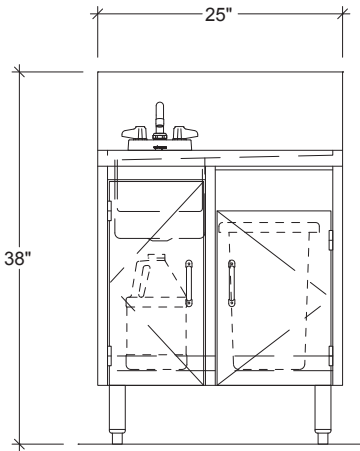


EXAMPLE:

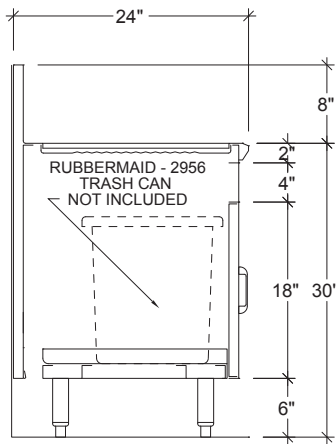
GLASS
WASHER
NOT
INCLUDED

ISGT-25-L

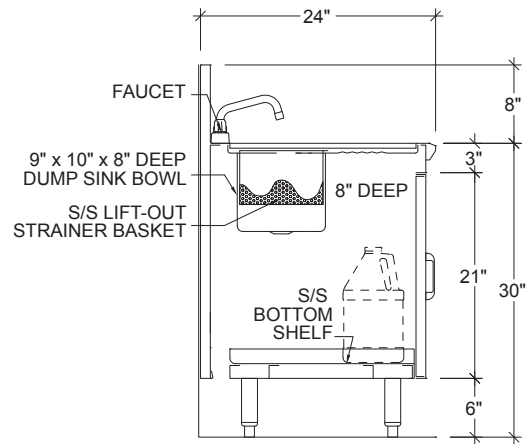
IRSC-24



ELEVATION



LEFT



RIGHT

24" DEPTH		
MODEL NO.	LENGTH	BOWL SIZE
ISGT-25	25"	10" x 9" x 8" DEEP

UTILITIES		
COLD WATER	HOT WATER	DRAIN
1 x 1/2"	1 x 1/2"	1 x 1-1/2"

INFINITY KITCHEN PRODUCTS, INC.

7750 Scout Ave. • Bell Gardens, CA 90201
 Toll Free: (866) 349-0005 • Ph: (562) 806-5771 • Fax: (562) 806-6771
 infinitystainless.com • customerservice@infinitystainless.com

*Proudly Made
 in America*