



PROJECT: \_\_\_\_\_

ITEM NUMBER: \_\_\_\_\_ QTY: \_\_\_\_\_



Model IPIC-S-P10-24



Fully Welded Interior with 3/8" Radius Corners

# PASS THRU ICE CHEST

## MODELS

TO MATCH UP WITH 'S' SERIES - 36" DEEP, WITHOUT COLD PLATE

IPIC-S-24

WITH 10 CIRCUIT COLD PLATE

IPIC-S-P10-24

TO MATCH UP WITH 'D' SERIES - 40" DEEP, WITHOUT COLD PLATE

IPIC-D-24

WITH 10 CIRCUIT COLD PLATE

IPIC-D-P10-24

## STANDARD FEATURES

- All Heliarc welded construction
- All 18-Gauge, Type 304 stainless steel
- One-piece seamless top and backsplash
- Attractive high polished bullnose edge-to-front
- Easy clean bin with 3/8" radius interior corners
- 1"x 3" brass drain
- CFC-Free 'shot-in-place' insulation
- 1-5/8" diameter, 16-gauge stainless steel legs
- Adjustable stainless steel bullet feet
- 12-1/2" deep fabricated ice bin
- Heavy duty stainless steel gussets welded to 14-Gauge stainless steel channel supports

## OPTIONS

- 16B** 16" Deep Ice Bin
- CB** Cabinet Base
- DT** Dual Temp
- PB** Perforated False Bottom (only with non-cold plate models)
- PSC** Stainless Steel Sliding Cover
- RP** Removable Panel
- M** Modified - Custom

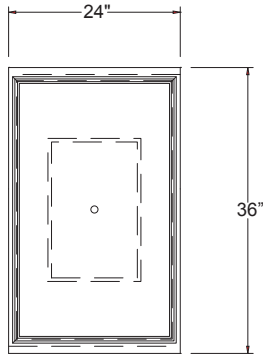


### INFINITY KITCHEN PRODUCTS, INC.

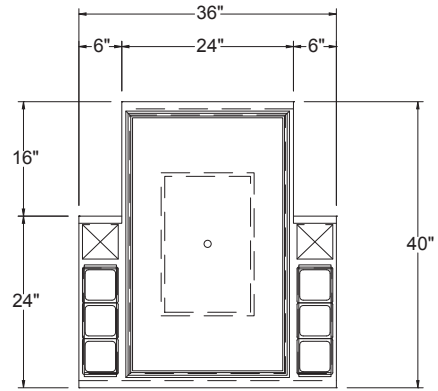
7750 Scout Ave. • Bell Gardens, CA 90201  
 Toll Free: (866) 349-0005 • Ph: (562) 806-5771 • Fax: (562) 806-6771  
 infinitystainless.com • customerservice@infinitystainless.com

Proudly Made in America

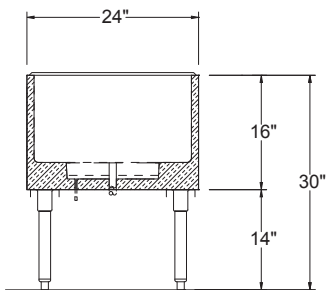
# PASS THRU ICE CHEST



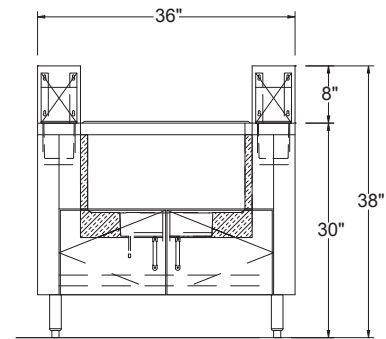
'S' SERIES PLAN



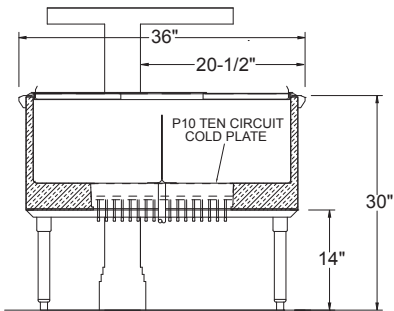
'D' SERIES PLAN



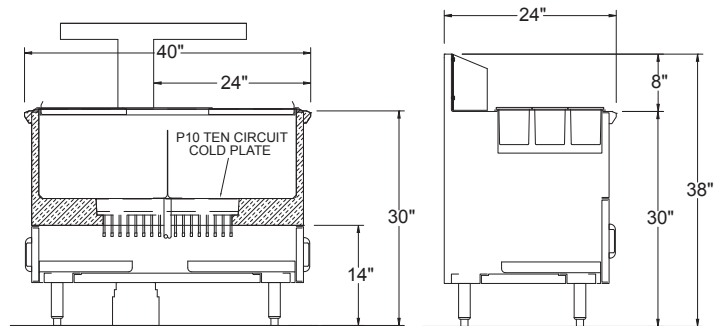
'S' SERIES ELEVATION



'D' SERIES ELEVATION



'S' SERIES SECTION



'D' SERIES SECTION

(WITH OPTIONAL CABINET BASE,  
(2) IWC-3 BOTTLEWELL HOLDERS AND LIQUOR CHASE)

**'S' SERIES 36" DEEP TO MATCH WITH 20-1/2" DEEP UNITS WITHOUT COLD PLATE**

MODEL NO.	LENGTH	ICE CAPACITY	WEIGHT	(CB) DOOR QTY.
IPIC-S-24	24"	153#	200	2

**'D' SERIES 40" DEEP TO MATCH WITH 24" DEEP UNITS WITHOUT COLD PLATE**

MODEL NO.	LENGTH	ICE CAPACITY	WEIGHT	(CB) DOOR QTY.
IPIC-D-24	24"	168#	200	2

**'S' SERIES 36" DEEP TO MATCH WITH 20-1/2" DEEP UNITS WITH 10 CIRCUIT COLD PLATE**

MODEL NO.	LENGTH	ICE CAPACITY	WEIGHT	(CB) DOOR QTY.
IPIC-S-P10-24	24"	153#	250	2

**'D' SERIES 40" DEEP TO MATCH WITH 24" DEEP UNITS WITH 10 CIRCUIT COLD PLATE**

MODEL NO.	LENGTH	ICE CAPACITY	WEIGHT	(CB) DOOR QTY.
IPIC-D-P10-24	24"	168#	260	2

**UTILITIES**

BRASS DRAIN  
1 X 1"

**UTILITIES (8-10 CIRCUIT)**

DRAIN  
1/2"

**INFINITY KITCHEN PRODUCTS, INC.** *Proudly Made in America*   
7750 Scout Ave. • Bell Gardens, CA 90201  
Toll Free: (866) 349-0005 • Ph: (562) 806-5771 • Fax: (562) 806-6771  
infinitystainless.com • customerservice@infinitystainless.com