



Model IOS-72

PROJECT: _____
ITEM NUMBER: _____ QTY: _____

OYSTER STATION

OYSTER STATION

MODELS

OYSTER STATION

- IOS-60
- IOS-72

OPTIONS

- CB** Cabinet base
- EEF** Electric Eye Faucet
- TC** Plastic Trash Can
- M** Modified

STANDARD FEATURES

- All Heliarc welded construction
- All 18-Gauge, Type 304 stainless steel
- Attractive high polished bullnose edge-to-front
- Easy clean bin with 3/8" radius interior corners
- 1" x 3" brass drain
- CFC-Free "shot-in-place" insulation
- Adjustable stainless steel bullet feet
- 12-1/2" deep fabricated ice bin carries full length
- Heavy duty stainless steel gussets welded to 14-Gauge stainless steel channel supports
- Full length, fold down plastic cutting board with heavy duty fold down brackets
- Perforated false bottom
- One removable ice bin dividers
- Six - 1/9th pans for cold condiments
- Shucking sink with built in sand trap and removable shell catch insert
- Premium heavy duty faucet's with gooseneck spout - deck mounted
- Ice melt-down faucet

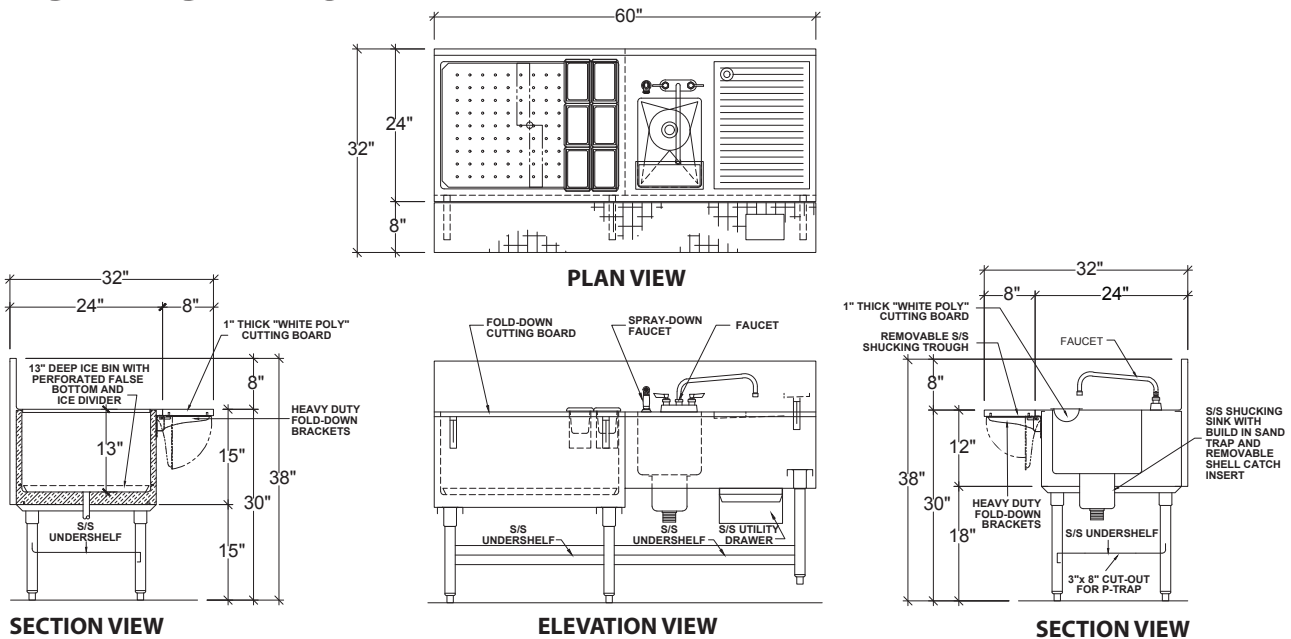


INFINITY KITCHEN PRODUCTS, INC.

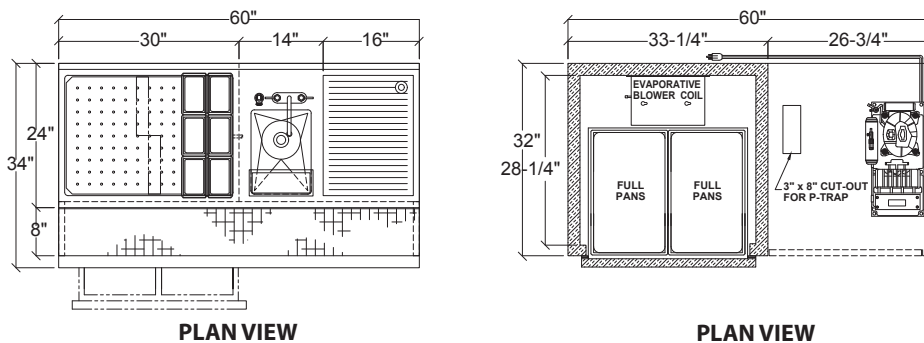
7750 Scout Ave. • Bell Gardens, CA 90201
 Toll Free: (866) 349-0005 • Ph: (562) 806-5771 • Fax: (562) 806-6771
 infinitystainless.com • customerservice@infinitystainless.com

Proudly Made in America

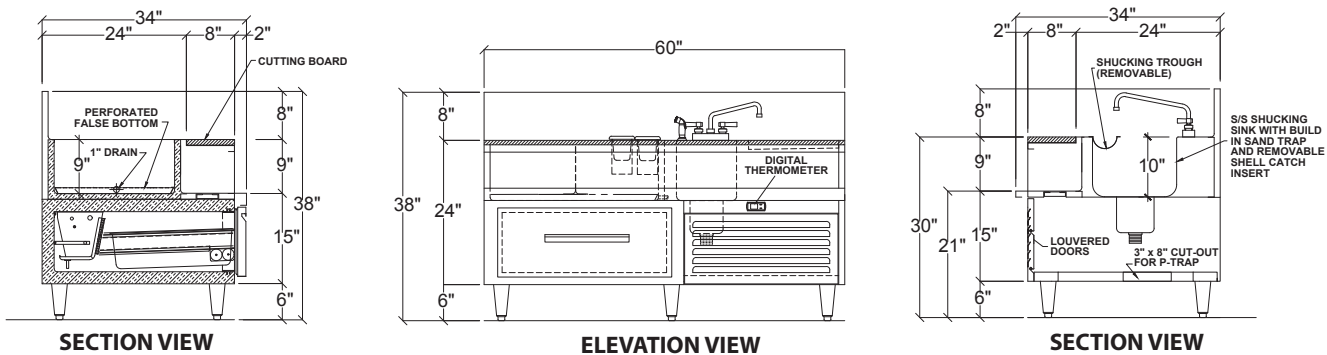
OYSTER STATION



MODEL SHOWN: IOS-60



MODEL SHOWN: SEE FACTORY FOR DETAILS ON REFRIGERATED BASE



OYSTER STATION 32" DEEP WITH CUTTING BOARD IN THE UP POSITION			
MODEL NO.	H.P.	LENGTH	WEIGHT
IOS-60	1/3	60"	302
IOS-72	1/3	72"	437

UTILITIES			
COLD WATER	HOT WATER	DRAIN	DRAIN
1 x 1/2"	1 x 1/2"	1 x 1-1/2"	2 x 1"