

Model IFCO-DQ-90

OUTSIDE CORNER FILLER

PROJECT: _____
ITEM NUMBER: _____ QTY: _____

OUTSIDE CORNER FILLER

MODELS

'S' SERIES 20-1/2" DEEP

- IFCO-SM-M IFCO-SM-90 IFCO-SQ-90

'D' SERIES 24" DEEP

- IFCO-DM-M IFCO-DM-90 IFCO-DQ-90

STANDARD FEATURES

- All Heliarc welded construction
- All 18-Gauge, Type 304 stainless steel
- Attractive high polished bullnose edge-to-front
- Drainboards have 4" wide 18-Gauge, Type 304, steel support channels and run full length and depth of drainboards
- Drainboard top has continuous corrugation
- Drainboards are recessed and pitch to a 1" brass drain.

OPTIONS

- LSS** Left Side Splash
- PT** Plain Flat Top
- RSS** Right Side Splash
- M** Modified - Custom

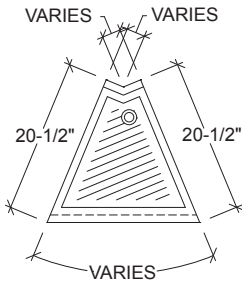


INFINITY KITCHEN PRODUCTS, INC.

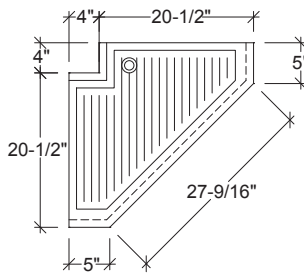
7750 Scout Ave. • Bell Gardens, CA 90201
 Toll Free: (866) 349-0005 • Ph: (562) 806-5771 • Fax: (562) 806-6771
 infinitystainless.com • customerservice@infinitystainless.com

Proudly Made in America

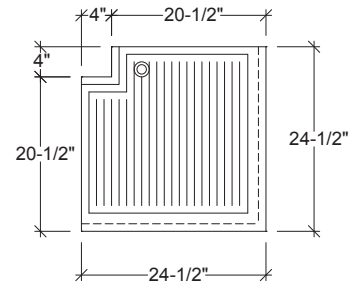
OUTSIDE CORNER FILLER



MITER CUT
MODEL SHOWN: IFCO-SM-M
 (PLEASE CONTACT FACTORY FOR DETAILS)



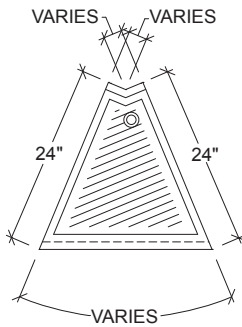
90° MITER CUT
MODEL SHOWN: IFCO-SM-90



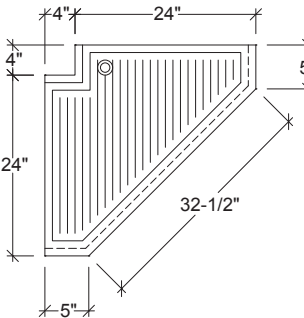
90° SQUARE CUT
MODEL SHOWN: IFCO-SQ-90

'S' SERIES 21-1/2" DEEP			
MODEL NO.	ANGLE	DESCRIPTION	WEIGHT
IFCO-SM-M	VARIES	CUSTOM MITER	VARIES
IFCO-SM-90	90°	90° MITER	50
IFCO-SQ-90	90°	90° SQUARE	60

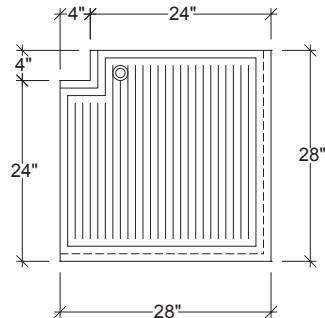
UTILITIES
BRASS DRAIN
1 X 1"



MITER CUT
MODEL SHOWN: IFCO-DM-M
 (PLEASE CONTACT FACTORY FOR DETAILS)



90° MITER CUT
MODEL SHOWN: IFCO-DM-90



90° SQUARE CUT
MODEL SHOWN: IFCO-DQ-90

'D' SERIES 24" DEEP			
MODEL NO.	ANGLE	DESCRIPTION	WEIGHT
IFCO-DM-M	VARIES	CUSTOM MITER	VARIES
IFCO-DM-90	90°	90° MITER	50
IFCO-DQ-90	90°	90° SQUARE	60

UTILITIES
BRASS DRAIN
1 X 1"

INFINITY KITCHEN PRODUCTS, INC.

7750 Scout Ave. • Bell Gardens, CA 90201
 Toll Free: (866) 349-0005 • Ph: (562) 806-5771 • Fax: (562) 806-6771
 infinitystainless.com • customerservice@infinitystainless.com

*Proudly Made
 in America*