



**INFINITY™**



**Model ISBD-13**

**1 COMPARTMENT SINK**

**PROJECT:** \_\_\_\_\_

**ITEM NUMBER:** \_\_\_\_\_ **QTY:** \_\_\_\_\_

## 1 COMPARTMENT SINK

### MODELS

#### 'S' SERIES 20-1/2" DEEP

ISBS-13

#### 'D' SERIES 24" DEEP

ISBD-13

### OPTIONS

- CB** Cabinet Base - 1 Door
- EEF** Electric Eye Faucet
- HS** Hot Spray Faucet with Adapter Ring
- LS** Lift Out Strainer Basket
- LSS** Left Side Splash
- OCB** Open Cabinet Base
- RSS** Right Side Splash
- SF** Special Brand Faucet
- TR** Towel Rail
- USS** 'S' Series Undershelf
- USD** 'D' Series Undershelf
- M** Modified - Custom

### STANDARD FEATURES

- All Heliarc welded construction
- All 18-Gauge, Type 304 stainless steel
- Attractive high polished bullnose edge-to-front
- 1-5/8" diameter 16-Gauge stainless steel legs
- Adjustable stainless steel bullet feet
- Heavy duty stainless steel gussets welded to 14-Gauge stainless steel channel supports
- Sink bowls are 18-Gauge, Type 304 stainless steel
- Standard bowl size 10"x 14"x 10" deep with 1-1/2" drain
- Deck mounted faucet with 12" swingspout



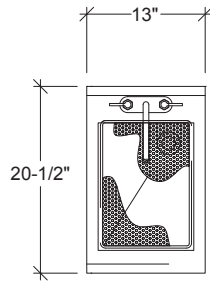
### INFINITY KITCHEN PRODUCTS, INC.

7750 Scout Ave. • Bell Gardens, CA 90201

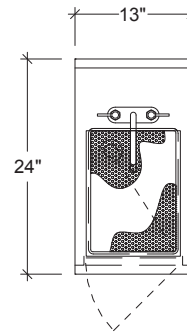
Toll Free: (866) 349-0005 • Ph: (562) 806-5771 • Fax: (562) 806-6771

infinitystainless.com • customerservice@infinitystainless.com

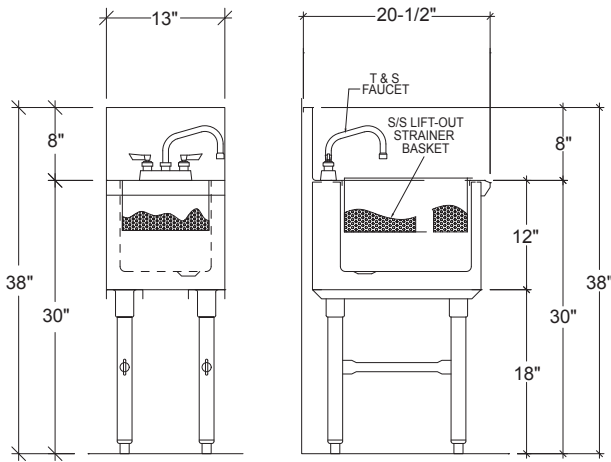
# 1 COMPARTMENT SINK



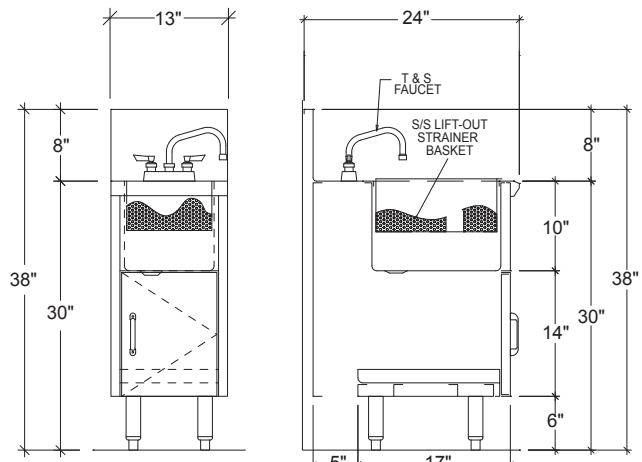
'S' SERIES PLAN



'D' SERIES PLAN



'S' SERIES ELEVATION 'S' SERIES SECTION



'D' SERIES ELEVATION 'D' SERIES SECTION  
(WITH OPTIONAL CABINET BASE)

'S' SERIES 20-1/2" DEEP				
MODEL NO.	LENGTH	BOWL SIZE	WEIGHT	DOORS (CB)
ISBS-13	13"	10" x 14" x 10" DEEP	50	1

'D' SERIES 24" DEEP				
MODEL NO.	LENGTH	BOWL SIZE	WEIGHT	DOORS (CB)
ISBD-13	13"	10" x 14" x 10" DEEP	60	1

UTILITIES		
COLD WATER	HOT WATER	DRAIN
1 x 1/2"	1 x 1/2"	1 x 1-1/2"

**INFINITY KITCHEN PRODUCTS, INC.**

7750 Scout Ave. • Bell Gardens, CA 90201  
 Toll Free: (866) 349-0005 • Ph: (562) 806-5771 • Fax: (562) 806-6771  
 infinitystainless.com • customerservice@infinitystainless.com

*Proudly Made  
 in America*