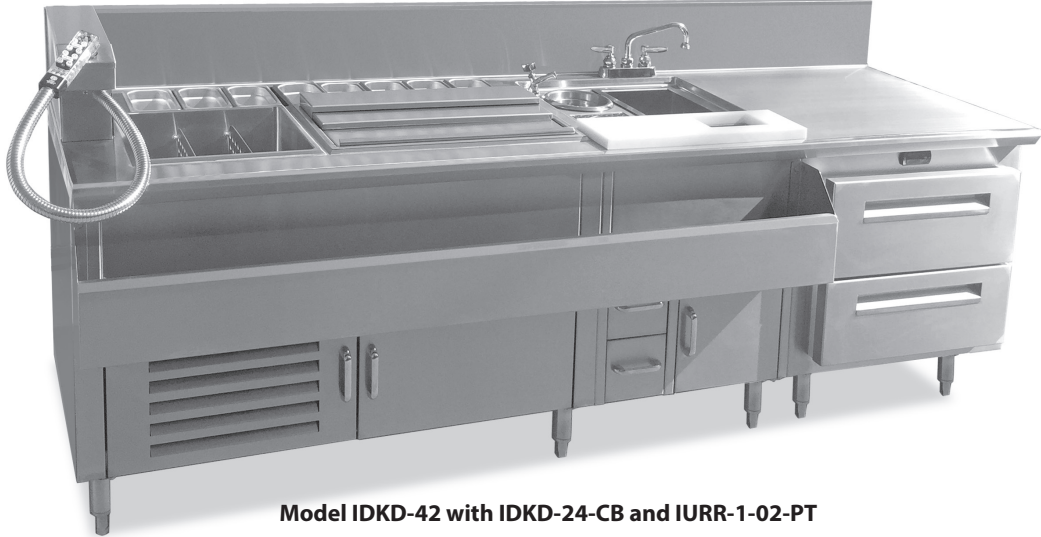




PROJECT: _____
ITEM NUMBER: _____ QTY: _____

MIXOLOGY STATION

MIXOLOGY STATION



Model IDKD-42 with IDKD-24-CB and IURR-1-02-PT

STANDARD FEATURES

- All Heliarc welded construction
- All 18-Gauge, Type 304 stainless steel
- One-piece seamless top and backsplash
- Attractive high polished bullnose edge-to-front
- Easy clean bin with 3/8" radius interior corners
- 1" x 3" brass drain (with non-cold plate models)
- CFC-Free "shot-in-place" insulation (on model IDKD-42)
- 1-5/8" diameter, 16-Gauge stainless steel legs
- Adjustable stainless steel bullet feet
- Three stainless steel ice dividers (on model IDKD-42)
- Eight refrigerated 1/9" pans (on model IDKD-42)
- 7 Circuit cold plate (on model IDKD-42)
- Refrigerated juice pan (on model IDKD-42)
- Soda gun holder (on model IDKD-42)
- Cutting board and trash chute (on models IDKD-20 and IDKD-24)
- Rinser, dipper well, strainer basket and premium faucet on all models with fabricated dump sink
- Attractive heavy duty door pulls

MODELS

- 24" DEEP**
- | | |
|----------------------------------|----------------------------------|
| <input type="checkbox"/> IDKD-18 | <input type="checkbox"/> IDKD-24 |
| <input type="checkbox"/> IDKD-20 | <input type="checkbox"/> IDKD-42 |

OPTIONS

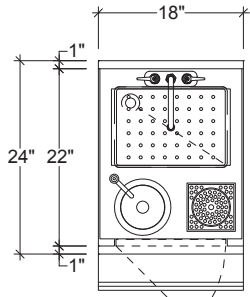
- | | |
|-------------------------------------|--|
| <input type="checkbox"/> 16B | 16" Deep Ice Bin |
| <input type="checkbox"/> CB | Cabinet Base |
| <input type="checkbox"/> EEF | Electric Eye Faucet |
| <input type="checkbox"/> F | Freezer |
| <input type="checkbox"/> LSS | Left Side Splash |
| <input type="checkbox"/> PB | Perforated False Bottom
(only with non-cold plate models) |
| <input type="checkbox"/> RSS | Right Side Splash |
| <input type="checkbox"/> SC | Sliding Cover |
| <input type="checkbox"/> SC3 | Three Tier Sliding Cover
(Provides 2/3 more open workspace) |
| <input type="checkbox"/> M | Modified - Custom |



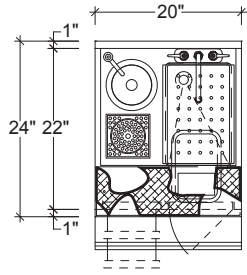
INFINITY KITCHEN PRODUCTS, INC.
 7750 Scout Ave. • Bell Gardens, CA 90201
 Toll Free: (866) 349-0005 • Ph: (562) 806-5771 • Fax: (562) 806-6771
 infinitystainless.com • customerservice@infinitystainless.com

Proudly Made in America

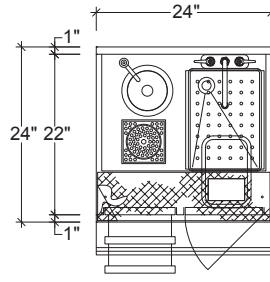
MIXOLOGY STATION



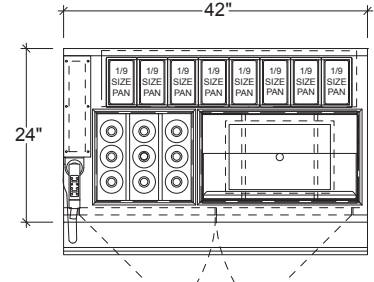
PLAN VIEW
MODEL SHOWN:
IDKD-18-CB WITH ISRS-18



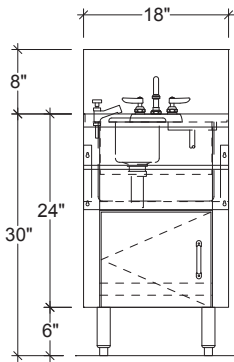
PLAN VIEW
MODEL SHOWN:
IDKD-20-CB WITH ISRS-20



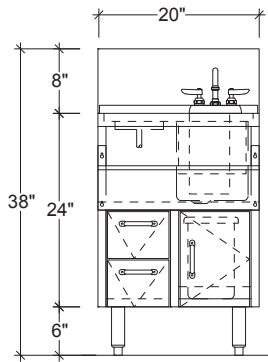
PLAN VIEW
MODEL SHOWN:
IDKD-24-CB WITH ISRS-24



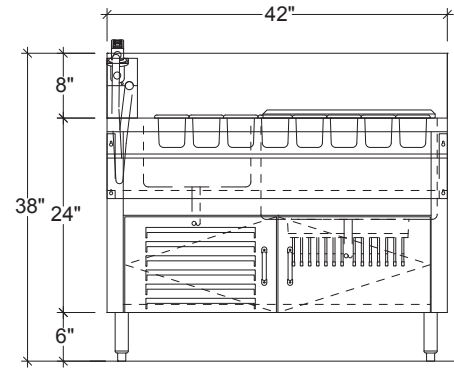
PLAN VIEW
MODEL SHOWN:
IDKD-42 WITH ISRS-42



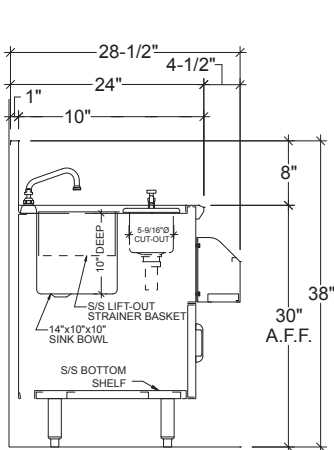
ELEVATION
MODEL SHOWN:
IDKD-18-CB WITH ISRS-18



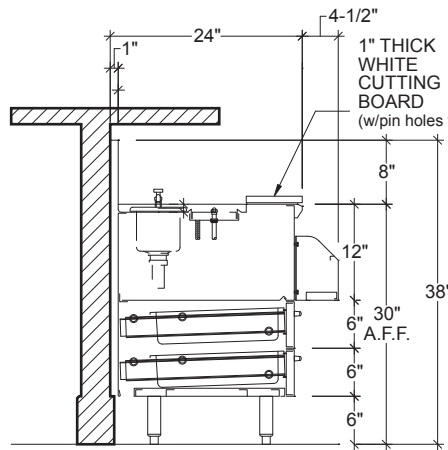
ELEVATION
MODEL SHOWN:
IDKD-20-CB WITH ISRS-20



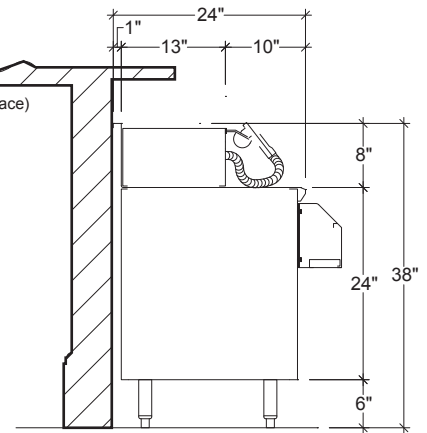
ELEVATION
MODEL SHOWN:
IDKD-42 WITH ISRS-42



SECTION
MODEL SHOWN:
IDKD-18-CB WITH ISRS-18



SECTION
MODEL SHOWN:
IDKD-20-CB WITH ISRS-20



SECTION
MODEL SHOWN:
IDKD-42 WITH ISRS-42

MIXOLOGY STATION				
MODEL NO.	LENGTH	ICE CAPACITY	WEIGHT	(CB) DOOR QTY.
IDKD-18	18"	N/A	190	1
IDKD-20	20"	N/A	210	1 + 2 (DRAWERS)
IDKD-24	24"	N/A	230	1
IDKD-42	42"	60#	600	2

UTILITIES
BRASS DRAIN
1 X 1"

Proudly Made in America