



PROJECT: _____
 ITEM NUMBER: _____ QTY: _____



Model ILTD-42

LIQUOR DISPLAY

MODELS

23" DEPTH

- ILTD-12 ILTD-24 ILTD-36
- ILTD-18 ILTD-30 ILTD-42

OPTIONS

- LC Locking Cover
- M Modified - Custom

STANDARD FEATURES

- All Heliarc welded construction
- All 18-Gauge, Type 304 stainless steel
- 1-5/8" diameter, 16-gauge stainless steel legs
- Adjustable stainless steel bullet feet
- Heavy duty stainless steel gussets welded to 14-Gauge stainless steel channel supports
- Four levels
- Bottle guards
- Liquor steps are easily cleaned

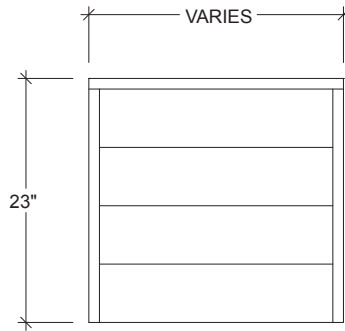


INFINITY KITCHEN PRODUCTS, INC.

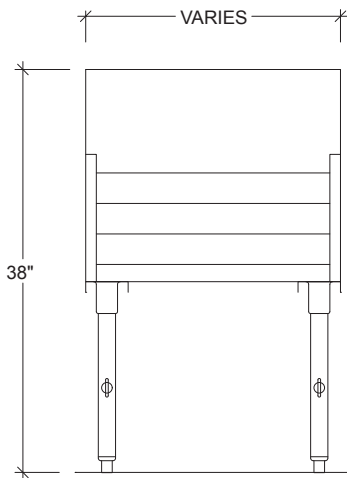
7750 Scout Ave. • Bell Gardens, CA 90201
 Toll Free: (866) 349-0005 • Ph: (562) 806-5771 • Fax: (562) 806-6771
 infinitystainless.com • customerservice@infinitystainless.com

Proudly Made in America

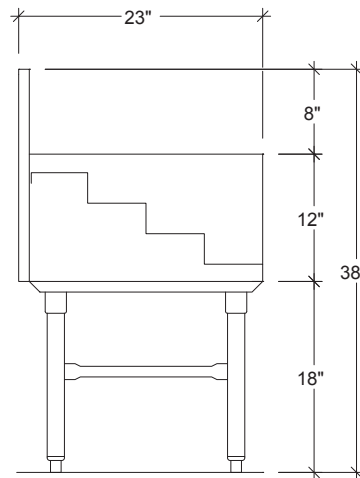
LIQUOR DISPLAY



TYPICAL PLAN



TYPICAL ELEVATION



TYPICAL SECTION

23" DEPTH			
MODEL NO.	LENGTH	WEIGHT	STEPS
ILTD-18	18"	50	4
ILTD-24	24"	70	4
ILTD-30	30"	90	4
ILTD-36	36"	110	4
ILTD-42	42"	130	4

INFINITY KITCHEN PRODUCTS, INC.

7750 Scout Ave. • Bell Gardens, CA 90201
 Toll Free: (866) 349-0005 • Ph: (562) 806-5771 • Fax: (562) 806-6771
 infinitystainless.com • customerservice@infinitystainless.com

*Proudly Made
 in America* 