



Model IFCI-DM-45

|   |
|---|
| <b>PROJECT:</b> _____                       |
| <b>ITEM NUMBER:</b> _____ <b>QTY:</b> _____ |

INSIDE CORNER FILLER

## INSIDE CORNER FILLER

### MODELS

#### 'S' SERIES 20-1/2" DEEP

- |                                     |                                     |                                     |
|-------------------------------------|-------------------------------------|-------------------------------------|
| <input type="checkbox"/> IFCI-SM-15 | <input type="checkbox"/> IFCI-SM-45 | <input type="checkbox"/> IFCI-SM-75 |
| <input type="checkbox"/> IFCI-SM-30 | <input type="checkbox"/> IFCI-SM-60 | <input type="checkbox"/> IFCI-SQ-90 |

#### 'D' SERIES 24" DEEP

- |                                     |                                     |                                     |
|-------------------------------------|-------------------------------------|-------------------------------------|
| <input type="checkbox"/> IFCI-DM-15 | <input type="checkbox"/> IFCI-DM-45 | <input type="checkbox"/> IFCI-DM-75 |
| <input type="checkbox"/> IFCI-DM-30 | <input type="checkbox"/> IFCI-DM-60 | <input type="checkbox"/> IFCI-DQ-90 |

### OPTIONS

- |                                     |                   |
|-------------------------------------|-------------------|
| <input type="checkbox"/> <b>LSS</b> | Left Side Splash  |
| <input type="checkbox"/> <b>PT</b>  | Plain Flat Top    |
| <input type="checkbox"/> <b>RSS</b> | Right Side Splash |
| <input type="checkbox"/> <b>M</b>   | Modified - Custom |

### STANDARD FEATURES

- All Heliarc welded construction
- All 18-Gauge, Type 304 stainless steel
- Attractive high polished bullnose edge-to-front
- Drainboards have 4" wide 18-Gauge, Type 304, 18/8 stainless steel support channels and run full length and depth of drainboards
- Drainboard top has continuous corrugation
- Drainboards are recessed and pitch to a 1" brass drain

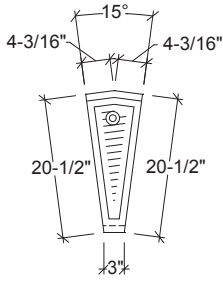


### INFINITY KITCHEN PRODUCTS, INC.

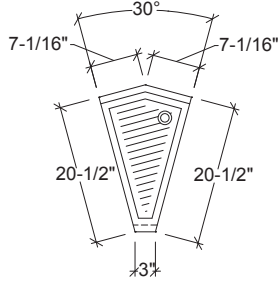
7750 Scout Ave. • Bell Gardens, CA 90201  
 Toll Free: (866) 349-0005 • Ph: (562) 806-5771 • Fax: (562) 806-6771  
 infinitystainless.com • customerservice@infinitystainless.com

Proudly Made in America

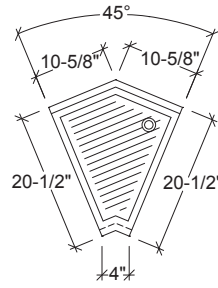
# INSIDE CORNER FILLER



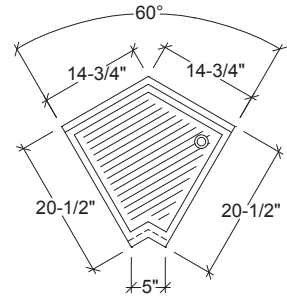
**15° MITER CUT**  
MODEL SHOWN: IFCI-SM-15



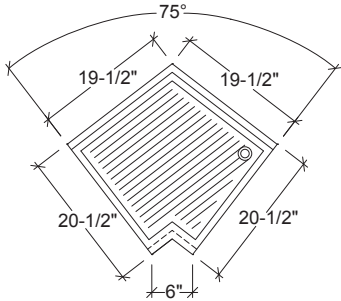
**30° MITER CUT**  
MODEL SHOWN: IFCI-SM-30



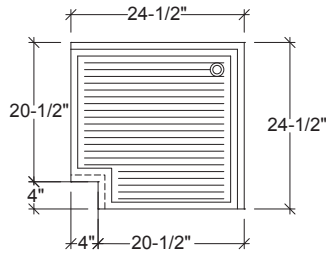
**45° MITER CUT**  
MODEL SHOWN: IFCI-SM-45



**60° MITER CUT**  
MODEL SHOWN: IFCI-SM-60



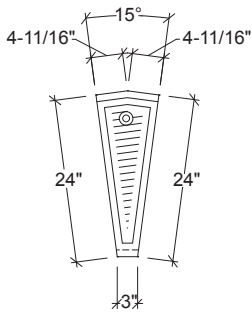
**75° MITER CUT**  
MODEL SHOWN: IFCI-SM-75



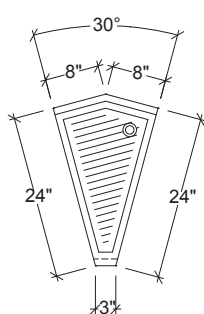
**90° SQUARE CUT**  
MODEL SHOWN: IFCI-SM-90

| UTILITIES             |
|-----------------------|
| BRASS DRAIN<br>1 X 1" |

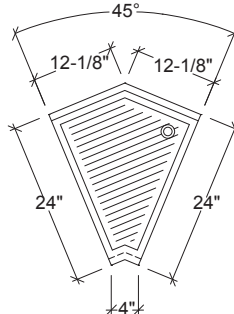
| 'S' SERIES 21-1/2" DEEP |       |             |        |
|-------------------------|-------|-------------|--------|
| MODEL NO.               | ANGLE | DESCRIPTION | WEIGHT |
| IFCI-SM-15              | 15°   | 15° MITER   | 55     |
| IFCI-SM-30              | 30°   | 30° MITER   | 55     |
| IFCI-SM-45              | 45°   | 45° MITER   | 55     |
| IFCI-SM-60              | 60°   | 60° MITER   | 45     |
| IFCI-SM-75              | 75°   | 75° MITER   | 45     |
| IFCI-SQ-90              | 90°   | 90° SQUARE  | 55     |



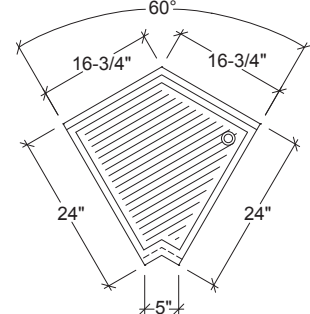
**15° MITER CUT**  
MODEL SHOWN: IFCI-DM-15



**30° MITER CUT**  
MODEL SHOWN: IFCI-DM-30



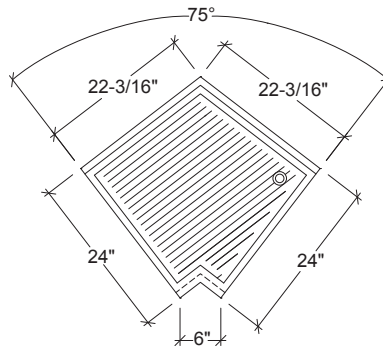
**45° MITER CUT**  
MODEL SHOWN: IFCI-DM-45



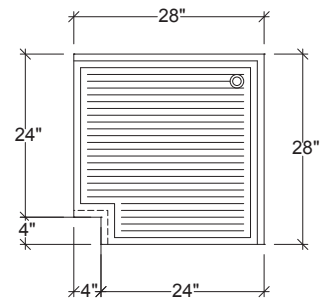
**60° MITER CUT**  
MODEL SHOWN: IFCI-DM-60

| 'D' SERIES 24" DEEP |       |             |        |
|---------------------|-------|-------------|--------|
| MODEL NO.           | ANGLE | DESCRIPTION | WEIGHT |
| IFCI-DM-15          | 15°   | 15° MITER   | 55     |
| IFCI-DM-30          | 30°   | 30° MITER   | 55     |
| IFCI-DM-45          | 45°   | 45° MITER   | 55     |
| IFCI-DM-60          | 60°   | 60° MITER   | 45     |
| IFCI-DM-75          | 75°   | 75° MITER   | 45     |
| IFCI-DQ-90          | 90°   | 90° SQUARE  | 55     |

| UTILITIES             |
|-----------------------|
| BRASS DRAIN<br>1 X 1" |



**75° MITER CUT**  
MODEL SHOWN: IFCI-DM-75



**90° SQUARE CUT**  
MODEL SHOWN: IFCI-DQ-90

## INFINITY KITCHEN PRODUCTS, INC.

7750 Scout Ave. • Bell Gardens, CA 90201  
Toll Free: (866) 349-0005 • Ph: (562) 806-5771 • Fax: (562) 806-6771  
infinitystainless.com • customerservice@infinitystainless.com

Proudly Made  
in America