



Model IRSC-24

<b>PROJECT:</b> _____
<b>ITEM NUMBER:</b> _____ <b>QTY:</b> _____

GLASS RACK

## GLASS RACK

### MODELS

#### 'D' SERIES - 24" DEEP

- IRSO-24       IRSC-24
- IRSO-48       IRSC-48

### OPTIONS

- LSS**      Left Side Splash
- RSS**      Right Side Splash
- M**        Modified - Custom

### STANDARD FEATURES

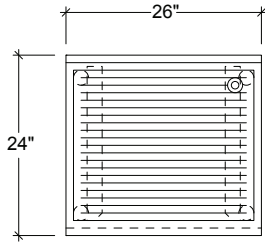
- All Heliarc welded construction
- All 18-Gauge, Type 304 stainless steel
- Adjustable stainless steel bullet feet
- Heavy duty stainless steel gussets welded to 14-Gauge stainless steel channel supports
- Drainboards have 4" wide 18-Gauge, Type 304, steel support channels and run full length and depth of drainboards
- Drainboard top has continuous corrugation
- Drainboards are recessed and pitch to a 1" brass drain
- Rack tracks are easily removed for cleaning



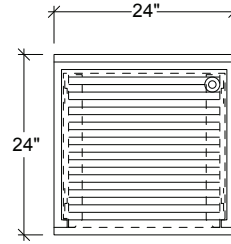
### INFINITY KITCHEN PRODUCTS, INC.

7750 Scout Ave. • Bell Gardens, CA 90201  
 Toll Free: (866) 349-0005 • Ph: (562) 806-5771 • Fax: (562) 806-6771  
 infinitystainless.com • customerservice@infinitystainless.com

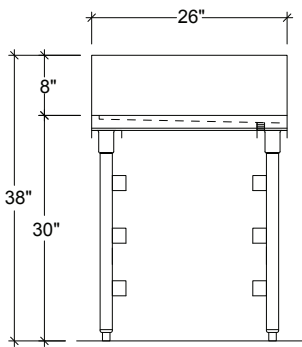
# GLASS RACK



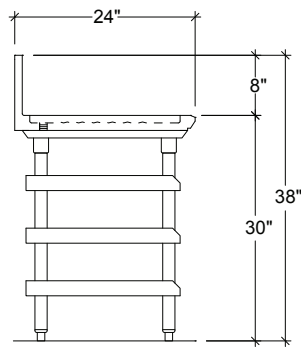
**OPEN GLASS RACK PLAN**



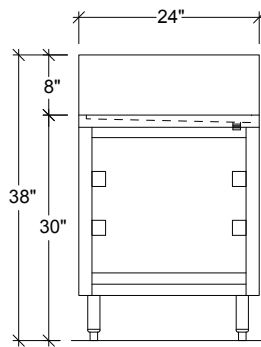
**GLASS STORAGE CABINET PLAN**



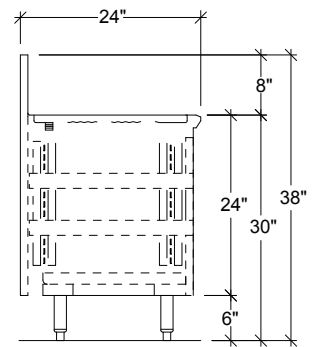
**OPEN GLASS RACK ELEVATION**



**OPEN GLASS RACK SECTION**



**GLASS STORAGE CABINET ELEVATION**



**GLASS STORAGE CABINET SECTION**

OPEN GLASS RACK 24" DEEP			
MODEL NO.	LENGTH	RACK CAPACITY	WEIGHT
IRSO-26	26"	3 ea. 20" x 20" RACKS	100
IRSO-48	48"	6 ea. 20" x 20" RACKS	180

GLASS STORAGE CABINET 24" DEEP			
MODEL NO.	LENGTH	RACK CAPACITY	WEIGHT
IRSC-24	24"	3 ea. 20" x 20" RACKS	120
IRSC-48	48"	6 ea. 20" x 20" RACKS	240

UTILITIES
BRASS DRAIN
1 X 1"

**INFINITY KITCHEN PRODUCTS, INC.**

7750 Scout Ave. • Bell Gardens, CA 90201  
 Toll Free: (866) 349-0005 • Ph: (562) 806-5771 • Fax: (562) 806-6771  
 infinitystainless.com • customerservice@infinitystainless.com

*Proudly Made  
 in America*