



Model IFDS-18

PROJECT: _____
ITEM NUMBER: _____ QTY: _____

FROZEN DRINK EQUIPMENT STAND

FROZEN DRINK EQUIPMENT STAND

MODELS

29" DEEP

- IFDS-18
- IFDS-24

OPTIONS

- CB** Cabinet Base
- LSS** Left Side Splash
- RSS** Right Side Splash
- M** Modified - Custom

STANDARD FEATURES

- All Heliarc welded construction
- All 18-Gauge, Type 304 stainless steel
- One-piece seamless top and back splash
- Counter pitched to a 1" brass drain
- Adjustable stainless steel bullet feet
- Heavy duty stainless steel gussets welded to 14-Gauge stainless steel channel supports



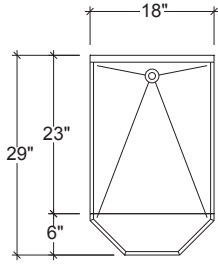
CONFORMS TO ANSI/NSF STD 2

INFINITY KITCHEN PRODUCTS, INC.

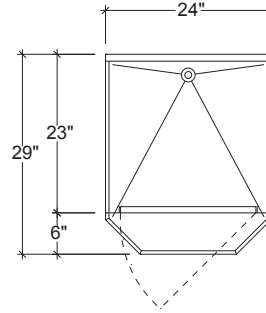
7750 Scout Ave. • Bell Gardens, CA 90201
 Toll Free: (866) 349-0005 • Ph: (562) 806-5771 • Fax: (562) 806-6771
 infinitystainless.com • customerservice@infinitystainless.com

Proudly Made in America

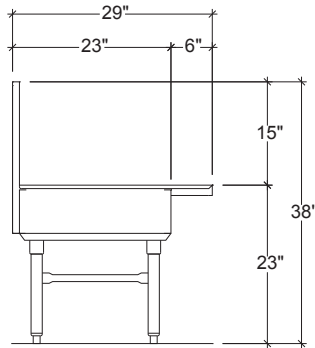
FROZEN DRINK EQUIPMENT STAND



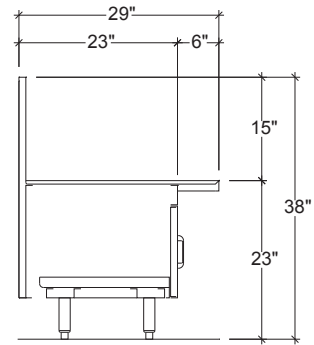
PLAN VIEW
MODEL: IFDS-18



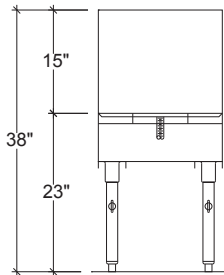
PLAN VIEW
MODEL: IFDS-24-CB
(WITH OPTIONAL CABINET BASE)



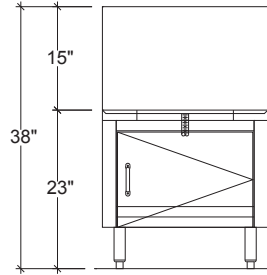
ELEVATION
MODEL: IFDS-18



ELEVATION
MODEL: IFDS-24-CB
(WITH OPTIONAL CABINET BASE)



SECTION
MODEL: IFDS-18



SECTION
MODEL: IFDS-24-CB
(WITH OPTIONAL CABINET BASE)

29" DEEP		
MODEL NO.	LENGTH	WEIGHT
IFDS-18	18"	100
IFDS-24	24"	110

UTILITIES
BRASS DRAIN
1 X 1"

INFINITY KITCHEN PRODUCTS, INC.

7750 Scout Ave. • Bell Gardens, CA 90201
Toll Free: (866) 349-0005 • Ph: (562) 806-5771 • Fax: (562) 806-6771
infinitystainless.com • customerservice@infinitystainless.com

*Proudly Made
in America*