



Model ICSS-48-CB

PROJECT: _____
ITEM NUMBER: _____ QTY: _____

CASINO COCKTAIL STATION

MODELS

24" DEEP WITHOUT COLD PLATE

- ICSS-36 ICSS-42 ICSS-48

24" DEEP WITH 10 CIRCUIT COLD PLATE

- ICSS-36-P10 ICSS-42-P10 ICSS-48-P10

OPTIONS

- 16B** 16" Deep Ice Bin
- DT** Dual Temp
- LSS** Left Side Splash
- PB** Perforated False Bottom
(only with non-cold plate models)
- SC36** Stainless Steel Sliding Cover 36" Model
- SC42** Stainless Steel Sliding Cover 42" Model
- SC48** Stainless Steel Sliding Cover 48" Model
- RSS** Right Side Splash
- M** Modified - Custom

STANDARD FEATURES

- All Heliarc welded construction
- All 18-Gauge, Type 304 stainless steel
- One-piece seamless top and backsplash
- Attractive high polished bullnose edge-to-front
- Easy clean bin with 3/8" radius interior corners
- 1" x 3" brass drain (with non-cold plate models)
- CFC-Free "shot-in-place" insulation
- 1-5/8" diameter, 16-gauge stainless steel legs
- Adjustable stainless steel bullet feet
- 12-1/2" deep fabricated ice bin carries full length
- 6" Beverage line notch in backsplash (with cold plate models)
- Stainless steel ice divider
- Integrated single speedrail
- Attractive heavy duty door pulls

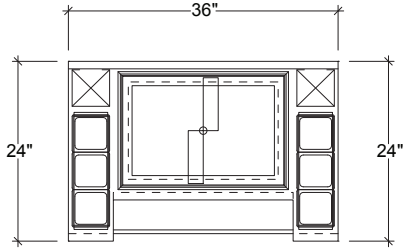


INFINITY KITCHEN PRODUCTS, INC.

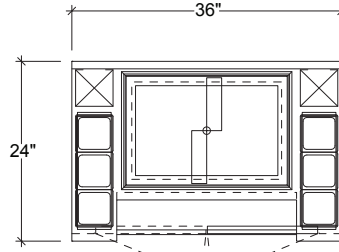
7750 Scout Ave. • Bell Gardens, CA 90201
 Toll Free: (866) 349-0005 • Ph: (562) 806-5771 • Fax: (562) 806-6771
 infinitystainless.com • customerservice@infinitystainless.com

Proudly Made in America

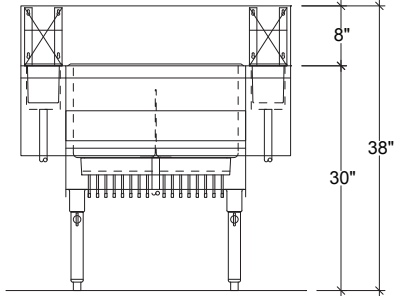
CASINO COCKTAIL STATION



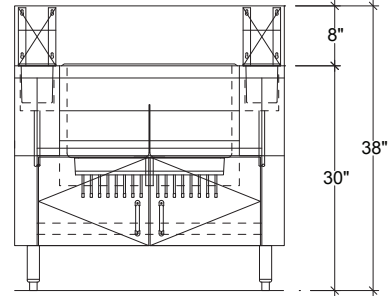
PLAN VIEW
MODEL SHOWN: ICSS-36-P10



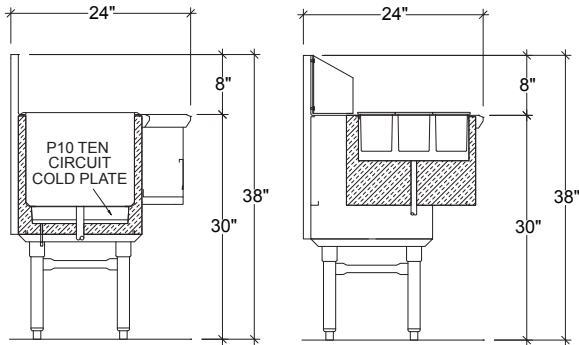
PLAN VIEW
MODEL SHOWN: ICSS-36-P10-CB
(WITH OPTIONAL CABINET BASE)



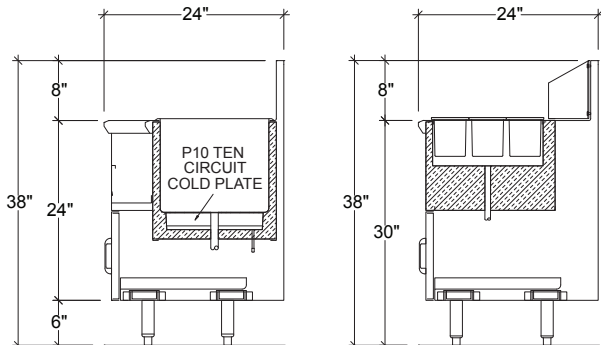
ELEVATION



ELEVATION
(WITH OPTIONAL CABINET BASE)



SECTION



SECTION
(WITH OPTIONAL CABINET BASE)

24" DEEP WITHOUT COLD PLATE			
MODEL NO.	LENGTH	ICE CAPACITY	WEIGHT
ICSS-36	36"	65#	155
ICSS-42	42"	65#	155
ICSS-48	48"	87#	170

24" DEEP WITH 10 CIRCUIT SEALED IN COLD PLATE			
MODEL NO.	LENGTH	ICE CAPACITY	WEIGHT
ICSS-36-P10	36"	65#	205
ICSS-42-P10	42"	65#	205
ICSS-48-P10	48"	87#	220

UTILITIES
BRASS DRAIN
1 X 1"

UTILITIES (10 CIRCUIT)
DRAIN
1/2"

Proudly Made
in America