



INFINITY™



Model ICBD-48 with 'D' Series Open Cabinet Base

PROJECT: _____
ITEM NUMBER: _____ QTY: _____

CABINET BASE

MODELS

'S' SERIES 20-1/2" DEEP

Open Cabinet Base without Doors

- | | | |
|----------------------------------|----------------------------------|----------------------------------|
| <input type="checkbox"/> ICBS-18 | <input type="checkbox"/> ICBS-30 | <input type="checkbox"/> ICBS-40 |
| <input type="checkbox"/> ICBS-24 | <input type="checkbox"/> ICBS-36 | <input type="checkbox"/> ICBS-48 |

'S' SERIES 20-1/2" DEEP

Cabinet Base with Doors

- | | | |
|-----------------------------------|-----------------------------------|-----------------------------------|
| <input type="checkbox"/> ICBS-18D | <input type="checkbox"/> ICBS-30D | <input type="checkbox"/> ICBS-42D |
| <input type="checkbox"/> ICBS-24D | <input type="checkbox"/> ICBS-36D | <input type="checkbox"/> ICBS-48D |

'D' SERIES 24" DEEP

Open Cabinet Base without Doors

- | | | |
|----------------------------------|----------------------------------|----------------------------------|
| <input type="checkbox"/> ICBD-18 | <input type="checkbox"/> ICBD-30 | <input type="checkbox"/> ICBD-40 |
| <input type="checkbox"/> ICBD-24 | <input type="checkbox"/> ICBD-36 | <input type="checkbox"/> ICBD-48 |

'D' SERIES 24" DEEP

Cabinet Base with Doors

- | | | |
|-----------------------------------|-----------------------------------|-----------------------------------|
| <input type="checkbox"/> ICBD-18D | <input type="checkbox"/> ICBD-30D | <input type="checkbox"/> ICBD-42D |
| <input type="checkbox"/> ICBD-24D | <input type="checkbox"/> ICBD-36D | <input type="checkbox"/> ICBD-48D |

STANDARD FEATURES

- All Heliarc welded construction
- All 18-Gauge, Type 304 stainless steel
- Attractive high polished bullnose edge-to-front
- Adjustable stainless steel bullet feet
- Heavy duty stainless steel gussets welded to 14-Gauge stainless steel channel supports
- Doors are double skin 18-Gauge, Type 304, stainless steel
- Doors are mounted on heavy duty mullions and are removable with stainless steel pin hinges
- Drainboards have 4" wide 18-Gauge, Type 304, steel support channels and run full length and depth of drainboards
- Drainboard top has continuous corrugation
- Drainboards are recessed and pitch to a 1" brass drain
- Attractive heavy duty door pull (on units with doors)
- Door locks (on units with doors)

OPTIONS

- | | |
|------------------------------|------------------------------------|
| <input type="checkbox"/> IS | Intermediate Stainless Steel Shelf |
| <input type="checkbox"/> LSS | Left Side Splash |
| <input type="checkbox"/> PT | Plain Flat Top |
| <input type="checkbox"/> RIS | Removable Intermediate Shelf |
| <input type="checkbox"/> RSS | Right Side Splash |
| <input type="checkbox"/> M | Modified - Custom |

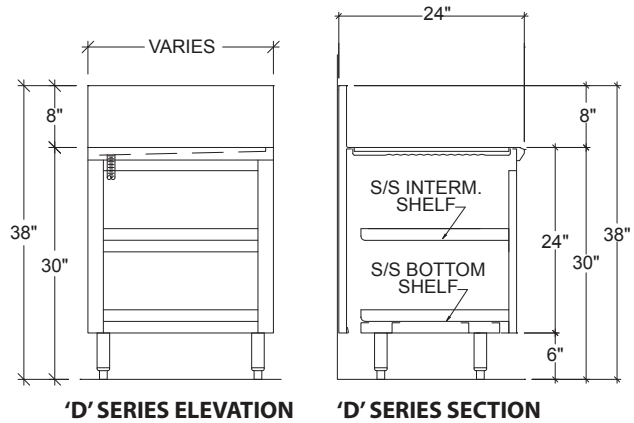
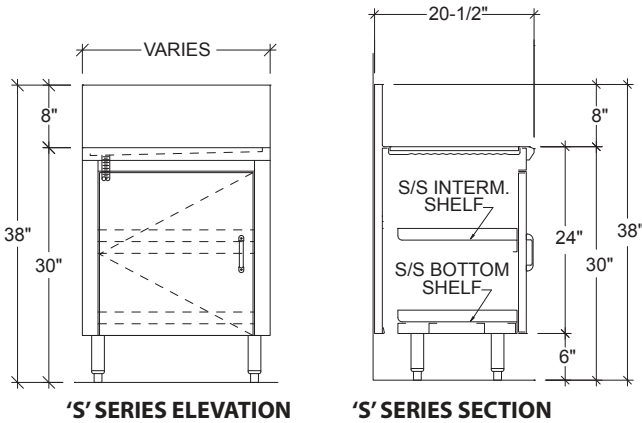
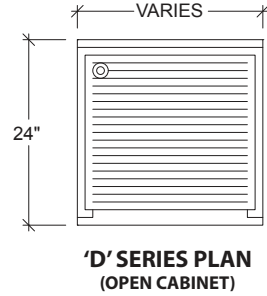
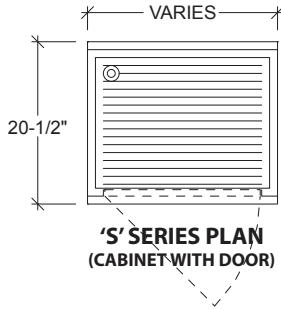


INFINITY KITCHEN PRODUCTS, INC.

7750 Scout Ave. • Bell Gardens, CA 90201
 Toll Free: (866) 349-0005 • Ph: (562) 806-5771 • Fax: (562) 806-6771
 infinitystainless.com • customerservice@infinitystainless.com

Proudly Made in America

CABINET BASE



'S' SERIES - 20-1/2" DEEP WITH CORRUGATED DRAINBOARD AND OPEN CABINET BASE		
MODEL NO.	LENGTH	WEIGHT
ICBS-18	18"	100
ICBS-24	24"	110
ICBS-30	30"	120
ICBS-36	36"	140
ICBS-42	42"	160
ICBS-48	48"	190

'S' SERIES - 20-1/2" DEEP WITH CORRUGATED DRAINBOARD AND DOORS			
MODEL NO.	LENGTH	DOORS	WEIGHT
ICBS-18D	18"	1	110
ICBS-24D	24"	1	120
ICBS-30D	30"	1	130
ICBS-36D	36"	2	150
ICBS-42D	42"	2	170
ICBS-48D	48"	2	200

'D' SERIES - 24" DEEP WITH CORRUGATED DRAINBOARD AND OPEN CABINET BASE		
MODEL NO.	LENGTH	WEIGHT
ICBD-18	18"	110
ICBD-24	24"	120
ICBD-30	30"	130
ICBD-36	36"	150
ICBD-42	42"	170
ICBD-48	48"	200

'D' SERIES - 24" DEEP WITH CORRUGATED DRAINBOARD AND DOORS			
MODEL NO.	LENGTH	DOORS	WEIGHT
ICBD-18D	18"	1	120
ICBD-24D	24"	1	130
ICBD-30D	30"	1	140
ICBD-36D	36"	2	160
ICBD-42D	42"	2	180
ICBD-48D	48"	2	210

UTILITIES
BRASS DRAIN
1 X 1"

INFINITY KITCHEN PRODUCTS, INC. *Proudly Made in America* 
 7750 Scout Ave. • Bell Gardens, CA 90201
 Toll Free: (866) 349-0005 • Ph: (562) 806-5771 • Fax: (562) 806-6771
 infinitystainless.com • customerservice@infinitystainless.com