



Model IBSS-12S-CB

STANDARD FEATURES

- All Heliarc welded construction
- All 18-Gauge, Type 304 stainless steel
- Adjustable stainless steel bullet feet
- Heavy duty stainless steel gussets welded to 14-Gauge stainless steel channel supports
- Front apron of station unifies with front of speed rail on all 'S' and 'D' series units (see details on back)
- Access hole for hidden electrical box
- Premium faucet on models with bowl
- Junction box (outlet not included)
- 9" x 8" x 9" fabricated sink bowl
- Attractive heavy duty door pulls



INFINITY KITCHEN PRODUCTS, INC.

7750 Scout Ave. • Bell Gardens, CA 90201
 Toll Free: (866) 349-0005 • Ph: (562) 806-5771 • Fax: (562) 806-6771
 infinitystainless.com • customerservice@infinitystainless.com

PROJECT: _____

ITEM NUMBER: _____ **QTY:** _____

BLENDER STATION

BLENDER STATION

MODELS

'S' SERIES WITHOUT SINK

- IBSS-12 IBSS-18 IBSS-14B
- IBSS-14 IBSS-12B IBSS-18B

'D' SERIES WITHOUT SINK

- IBSD-12 IBSD-18 IBSD-14B
- IBSD-14 IBSD-12B IBSD-18B

'S' SERIES WITH SINK

- IBSS-12S IBSS-18S IBSS-14SB
- IBSS-14S IBSS-12SB IBSS-18SB

'D' SERIES WITH SINK

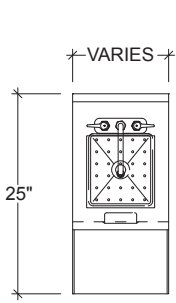
- IBSD-12S IBSD-18S IBSD-14SB
- IBSD-14S IBSD-12SB IBSD-18SB

OPTIONS

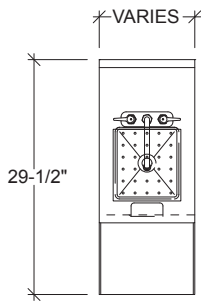
- CB** Cabinet Base
- EEF** Electric Eye Faucet
- HS** Hot Spray Faucet with Adapter Ring
- LS** Lift Out Dump Sink Strainer
- LSS** Left Side Splash
- RSS** Right Side Splash
- SF** Special Faucet
- M** Modified - Custom

Proudly Made in America

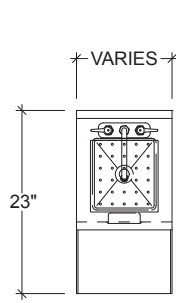
BLENDER STATION



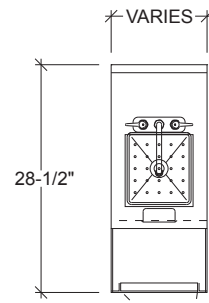
PLAN VIEW
MODEL: IBSS-12S



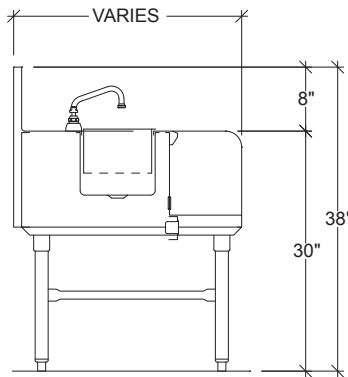
PLAN VIEW
MODEL: IBSS-12SB



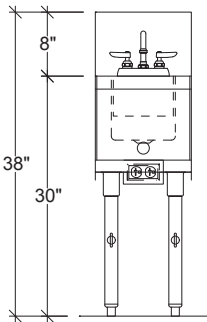
PLAN VIEW
MODEL: IBSD-12S



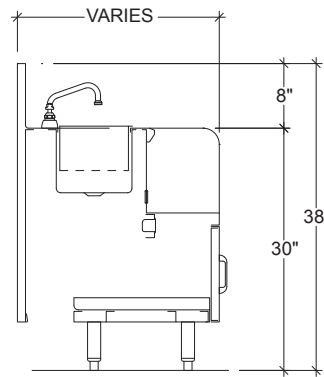
PLAN VIEW
MODEL: IBSD-12SB-CB
(WITH OPTIONAL CABINET BASE)



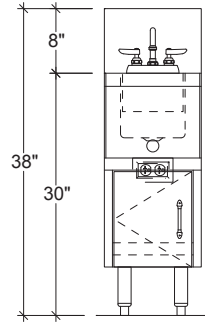
'S' or 'D' SERIES ELEVATION



'S' or 'D' SERIES SECTION



'S' or 'D' SERIES ELEVATION



'S' or 'D' SERIES SECTION
(WITH OPTIONAL CABINET BASE)

NOTE: BLENDER CAPACITY IS BASED ON STANDARD SIZE BLENDER

'S' SERIES COMPONENT WITHOUT BOWL				
MODEL NO.	LENGTH	DEPTH	CAPACITY	WEIGHT
IBSS-12	12"	25"	1	50
IBSS-14	14"	25"	2	55
IBSS-18	18"	25"	2	60
IBSS-12B	12"	29-1/2"	1	55
IBSS-14B	14"	29-1/2"	2	60
IBSS-18B	18"	29-1/2"	2	65

'D' SERIES COMPONENT WITHOUT BOWL				
MODEL NO.	LENGTH	DEPTH	CAPACITY	WEIGHT
IBSD-12	12"	23"	1	48
IBSD-14	14"	23"	2	53
IBSD-18	18"	23"	2	58
IBSD-12B	12"	28-1/2"	1	54
IBSD-14B	14"	28-1/2"	2	59
IBSD-18B	18"	28-1/2"	2	64

'S' SERIES COMPONENT WITH BOWL				
MODEL NO.	LENGTH	DEPTH	CAPACITY	WEIGHT
IBSS-12S	12"	25"	1	52
IBSS-14S	14"	25"	2	57
IBSS-18S	18"	25"	2	62
IBSS-12SB	12"	29-1/2"	1	55
IBSS-14SB	14"	29-1/2"	2	60
IBSS-18SB	18"	29-1/2"	2	65

'D' SERIES COMPONENT WITH BOWL				
MODEL NO.	LENGTH	DEPTH	CAPACITY	WEIGHT
IBSD-12S	12"	23"	1	50
IBSD-14S	14"	23"	2	55
IBSD-18S	18"	23"	2	60
IBSD-12SB	12"	28-1/2"	1	56
IBSD-14SB	14"	28-1/2"	2	61
IBSD-18SB	18"	28-1/2"	2	66

UTILITIES		
COLD WATER	HOT WATER	DRAIN
1 x 1/2"	1 x 1/2"	1 x 1-1/2"

INFINITY KITCHEN PRODUCTS, INC.

7750 Scout Ave. • Bell Gardens, CA 90201
 Toll Free: (866) 349-0005 • Ph: (562) 806-5771 • Fax: (562) 806-6771
 infinitystainless.com • customerservice@infinitystainless.com

*Proudly Made
in America*