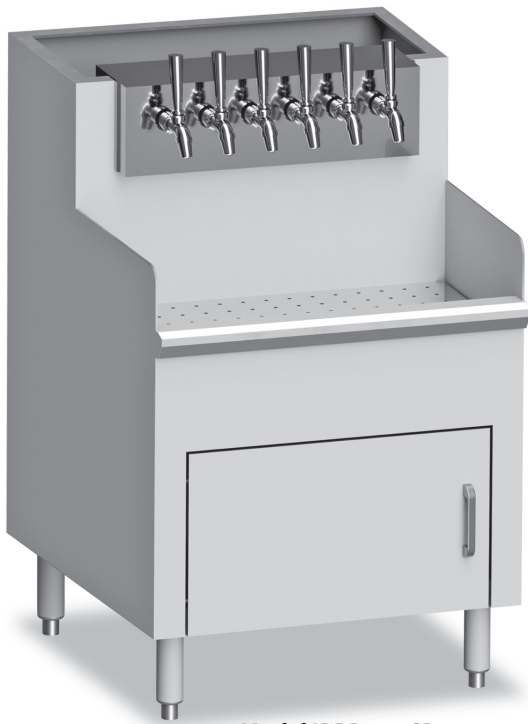




INFINITY™



Model IBBD-24-CB

PROJECT: \_\_\_\_\_

ITEM NUMBER: \_\_\_\_\_ QTY: \_\_\_\_\_

BEVERAGE DISPENSING STATION

## BEVERAGE DISPENSING STATION

### MODELS

#### 'S' SERIES 20-1/2" DEEP

- IBDS-18       IBDS-24

#### 'D' SERIES 24" DEEP

- IBDD-18       IBDD-24

### OPTIONS

- CB**      Cabinet Base
- M**      Modified - Custom

### STANDARD FEATURES

- All Heliarc welded construction
- All 18-Gauge, Type 304 stainless steel
- Attractive high polished bullnose edge-to-front
- 1" brass drain
- Recessed stainless steel pouring tray
- Removable stainless steel pouring tray cover
- Attractive heavy duty door pulls
- Dispenser not included. Factory can provide and install dispenser or it can be supplied by others. Contact factory for available options and details.

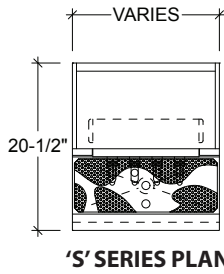


CONFORMS TO ANSI/NSF STD 2

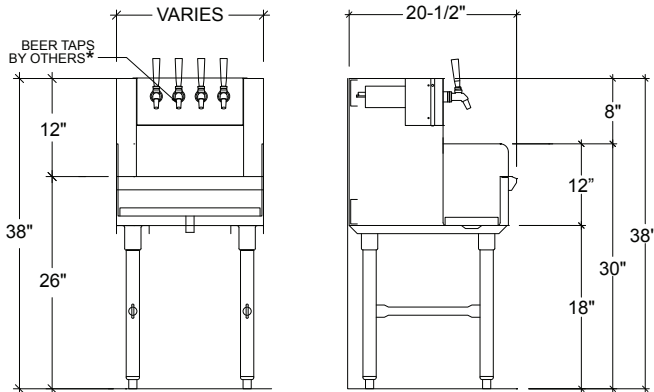
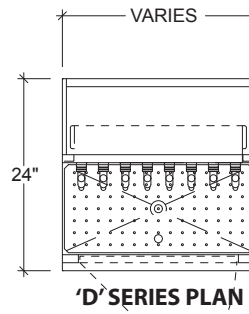
### INFINITY KITCHEN PRODUCTS, INC.

7750 Scout Ave. • Bell Gardens, CA 90201  
 Toll Free: (866) 349-0005 • Ph: (562) 806-5771 • Fax: (562) 806-6771  
 infinitystainless.com • customerservice@infinitystainless.com

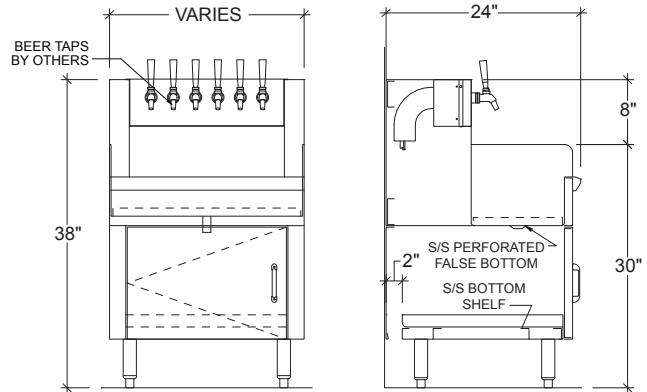
# BEVERAGE DISPENSING STATION



**\*NOTE:** Dispenser not included. Factory can provide and install dispenser or it can be supplied by others. Please contact factory for available options and details.



**'S' SERIES ELEVATION    'S' SERIES SECTION**



**'D' SERIES ELEVATION    'D' SERIES SECTION  
(WITH OPTIONAL CABINET BASE)**

<b>'S' SERIES 20-1/2" DEEP</b>			
MODEL NO.	LENGTH	WEIGHT	(CB) DOOR QTY.
IBDS-18	18"	55	1
IBDS-24	24"	60	1

<b>'D' SERIES 24" DEEP</b>			
MODEL NO.	LENGTH	WEIGHT	(CB) DOOR QTY.
IBDD-18	18"	60	1
IBDD-24	24"	70	1

<b>UTILITIES</b>
BRASS DRAIN
1 X 1"

**INFINITY KITCHEN PRODUCTS, INC.**

7750 Scout Ave. • Bell Gardens, CA 90201  
 Toll Free: (866) 349-0005 • Ph: (562) 806-5771 • Fax: (562) 806-6771  
 infinitystainless.com • customerservice@infinitystainless.com

*Proudly Made  
 in America*