



Model ICBD-24-POS-SD

PROJECT: _____
ITEM NUMBER: _____ QTY: _____

POS STATION

POS STATION

MODELS

'D' SERIES 24" DEEP

- ICBD-18-POS
- ICBD-24-POS

OPTIONS

- SD Solid Door
- M Modified - Custom

STANDARD FEATURES

- All Heliarc welded construction
- All 18-Gauge, Type 304 stainless steel
- Attractive high polished bullnose edge-to-front
- Adjustable stainless steel bullet feet
- Heavy duty stainless steel gussets welded to 14-Gauge stainless steel channel supports
- 12" left, right and backsplash
- Louvered door for ventilation
- Doors are mounted on heavy duty mullions and are removable with stainless steel pin hinges
- 6" x 6" access hole on back of unit
- Grommeted cord access on deck
- Attractive heavy duty door pulls
- Door lock

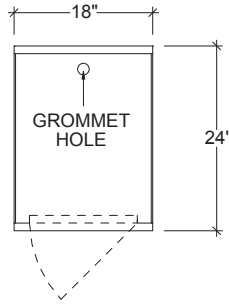


INFINITY KITCHEN PRODUCTS, INC.

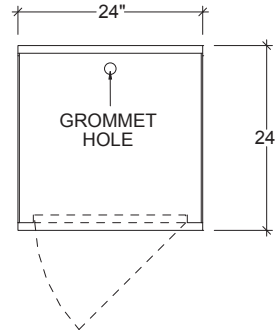
7750 Scout Ave. • Bell Gardens, CA 90201
 Toll Free: (855) 737-4688 • Ph: (562) 806-5771 • Fax: (562) 806-6771
 infinitystainless.com • customerservice@infinitystainless.com

Proudly Made in America

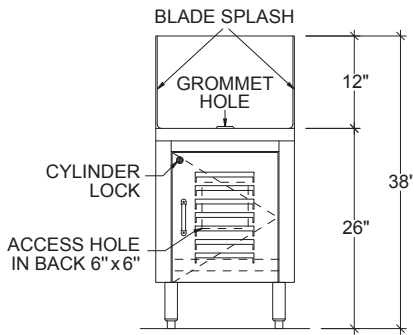
POS STATION



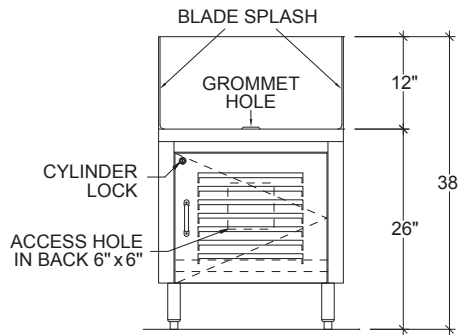
PLAN VIEW
MODEL: ICB-18-POS



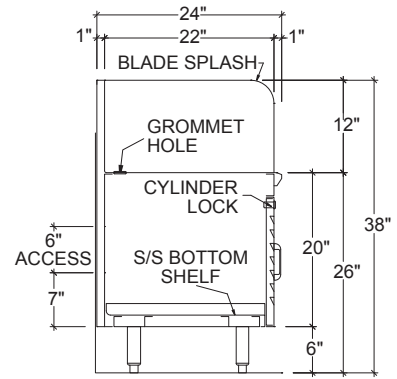
PLAN VIEW
MODEL: ICB-24-POS



ELEVATION
MODEL: ICB-18-POS



ELEVATION
MODEL: ICB-24-POS



TYPICAL SECTION

'D' SERIES - 24" DEEP		
MODEL NO.	LENGTH	WEIGHT
ICBD-18	18"	110
ICBD-24	24"	120

UTILITIES
BRASS DRAIN
1 X 1"

INFINITY KITCHEN PRODUCTS, INC.

7750 Scout Ave. • Bell Gardens, CA 90201
 Toll Free: (855) 737-4688 • Ph: (562) 806-5771 • Fax: (562) 806-6771
 infinitystainless.com • customerservice@infinitystainless.com

*Proudly Made
 in America*