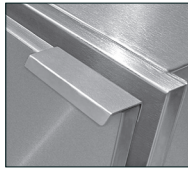




Model IBCRS-3D-SSD-RC-LRR-ST

Edge Mount Door Pull (optional)



37" HIGH BACKBAR WITH DOORS

PROJECT: _____
 ITEM NUMBER: _____ QTY: _____

37" HIGH BACKBAR WITH DOORS

MODELS

REMOTE UNITS

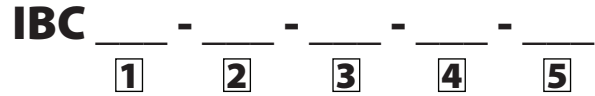
- IBCRR-1D IBCRR-3D
- IBCRR-2D IBCRR-4D

SELF-CONTAINED UNITS

- IBCRS-1D IBCRS-3D
- IBCRS-2D IBCRS-4D

MODEL CONFIGURATION

Example: **IBCRS-3D-SSD-RC-LRR**



STANDARD FEATURES

- All Heliarc welded construction
- All 18-Gauge, Type 304 stainless steel interior and exterior
- Easy clean with 3/8 radius interior corners
- CFC-Free "shot-in-place" insulation
- Door actuated interior light(s)
- Stainless steel wire shelves
- Magnetic door gasket
- Heavy duty breaker strip 'foam-locked' in position
- Pre-wired internal flexible conduit to a single point connection
- Blower coil fully equipped with expansion valve, thermostat and solenoid valve (on remote units)
- Self-contained units supplied with compressor compartment with condensing unit, condensate expansion pan, cord and plug
- Polished heavy duty door pulls
- Door Lock(s)

1	RR = Remote RS = Self-Contained
2	1D = One Door 2D = Two Door 3D = Three Door 4D = Four Door
3	SSD = Stainless Steel Door GD = Glass Door LD = Laminated Door (Pricing Varies) FLD = Field Laminated Door (Plywood Door) PC = Powder Coated Door (Pricing Varies)
4	(On Self-Contained Units) LC = Condensing Compartment on Left Side RC = Condensing Compartment on Right Side
5	(Door Hinged Starting on the Left) L = Left Hinged R = Right Hinged

OPTIONS

- CL** 6" high stainless steel adjustable legs
- CS4** 4" Heavy Duty Casters
- CS6** 6" Heavy Duty Casters
- DT** Dual Temp
- EDP** Edge Mount Door Pull
- F** Freezer
- KR** Kick Rail
- RW** Red Wine
- ST** Stainless Steel Top
- WW** White Wine
- M** Modified - Custom

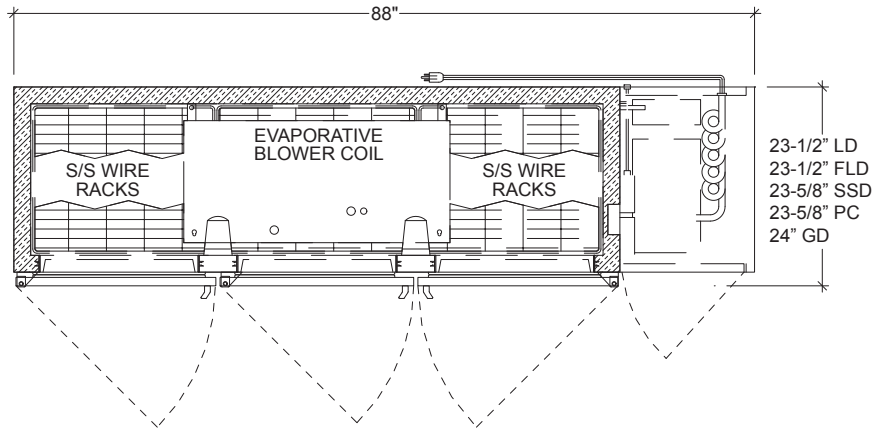


INFINITY KITCHEN PRODUCTS, INC.

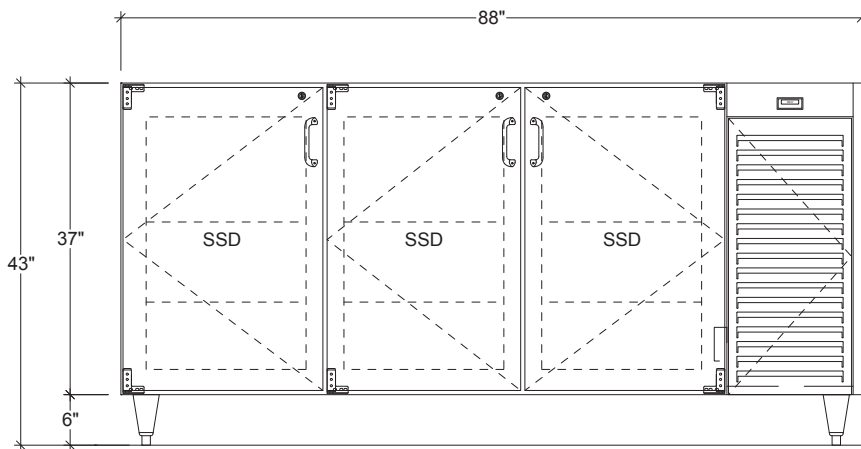
7750 Scout Ave. • Bell Gardens, CA 90201
 Toll Free: (866) 349-0005 • Ph: (562) 806-5771 • Fax: (562) 806-6771
 infinitystainless.com • customerservice@infinitystainless.com

Proudly Made in America

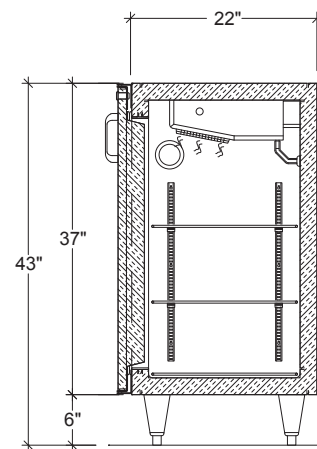
37" HIGH BACKBAR WITH DOORS



PLAN VIEW



ELEVATION



SECTION

MODEL SHOWN IBCRS-3D-SSD-RC-LLR

REMOTE UNITS

MODEL	LENGTH	VOLTS	TOTAL AMPS	MIN. CIRCUIT BKT.	PHASE	MAX CIRCUIT BKT.	BTU'S	WEIGHT
IBCRR-1D	25"	115v	1.6	2.0A	1ph	15A	656	292
IBCRR-2D	48"	115v	2.0	2.5A	1ph	15A	1375	370
IBCRR-3D	72"	115v	4.9	6.1A	1ph	15A	2125	430
IBCRR-4D	96"	115v	5.7	7.1A	1ph	15A	2875	500

SELF-CONTAINED UNITS

MODEL	LENGTH	H.P	VOLTS	TOTAL AMPS	MIN. CIRCUIT BKT.	PHASE	MAX CIRCUIT BKT.	BTU'S	WEIGHT
IBCRS-1D	41"	1/3 HP	115v	8.5	10.6A	1ph	15A	656	520
IBCRS-2D	64"	1/3 HP	115v	8.9	11.1A	1ph	15A	1375	630
IBCRS-3D	88"	1/3 HP	115v	11.8	14.8A	1ph	15A	2125	690
IBCRS-4D	112"	1/2 HP	115v	14.8	8.5A	1ph	15A	2875	1030

INFINITY KITCHEN PRODUCTS, INC.

7750 Scout Ave. • Bell Gardens, CA 90201
 Toll Free: (866) 349-0005 • Ph: (562) 806-5771 • Fax: (562) 806-6771
 infinitystainless.com • customerservice@infinitystainless.com

*Proudly Made
in America*