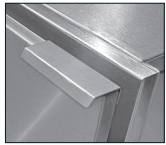
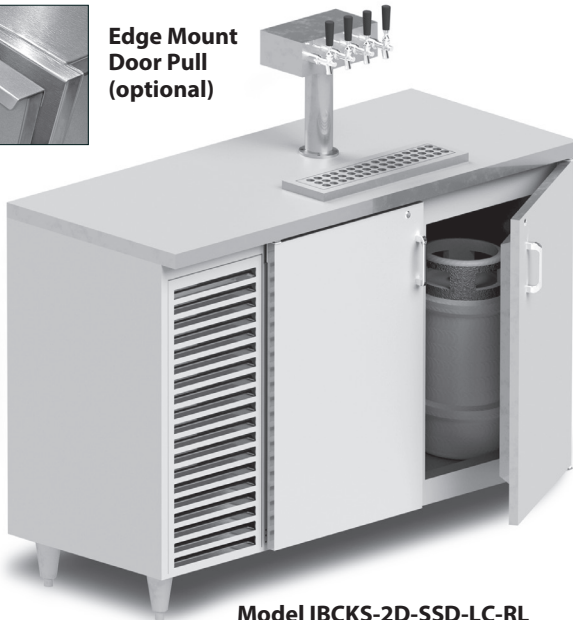




***NOTE:** Factory can provide and install an infinite variety of dispensing towers with drip tray or it can be supplied by others. Please contact factory for details



Edge Mount Door Pull (optional)



Model IBCKS-2D-SSD-LC-RL

STANDARD FEATURES

- All Heliarc welded construction
- All 18-Gauge, Type 304 stainless steel interior and exterior
- Easy clean with 3/8 radius interior corners
- CFC-Free "shot-in-place" insulation
- Door actuated interior light(s)
- Magnetic door gasket
- Heavy duty breaker strip 'foam-locked' in position
- Pre-wired internal flexible conduit to a single point connection
- Heavy duty stainless steel perforated false bottoms
- Blower coil fully equipped with expansion valve, thermostat and solenoid valve (on remote units)
- Self-contained units supplied with compressor compartment with condensing unit, condensate expansion pan, cord and plug
- Heavy duty stainless steel door cap protector at each door opening
- Door Lock(s)



PROJECT: _____
 ITEM NUMBER: _____ QTY: _____

37" HIGH BACKBAR BEER KEG

37" HIGH BACKBAR BEER KEG

MODELS

REMOTE UNITS

- IBCKR-1D
- IBCKR-3D
- IBCKR-2D
- IBCKR-4D

SELF-CONTAINED UNITS

- IBCKS-1D
- IBCKS-3D
- IBCKS-2D
- IBCKS-4D

MODEL CONFIGURATION

Example: **IBCKS-2D-SSD-LC-RL**

IBCK - - - -
 1 **2** **3** **4** **5**

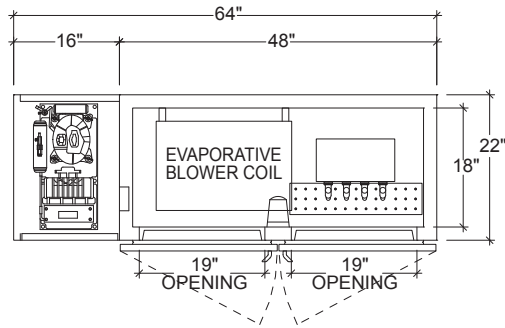
1	R = Remote S = Self-Contained
2	1D = One Door 2D = Two Doors 3D = Three Doors 4D = Four Doors
3	SSD = Stainless Steel Door GD = Glass Door LD = Laminated Door (Pricing Varies) FLD = Field Laminated Door (Plywood Door) PC = Powder Coated Door
4	(On Self-Contained Units) LC = Condensing Compartment on Left Side RC = Condensing Compartment on Right Side
5	(Door Hinged Starting on the Left) L = Left Hinged R = Right Hinged

OPTIONS

- CL** 6" high stainless steel adjustable legs
- RW** Red Wine
- CS4** 4" Heavy Duty Casters
- ST** Stainless Steel Top
- CS6** 6" Heavy Duty Casters
- WW** White Wine
- DT** Dual Temp
- M** Modified - Custom
- EDP** Edge Mount Door Pull
- F** Freezer
- KR** Kick Rail

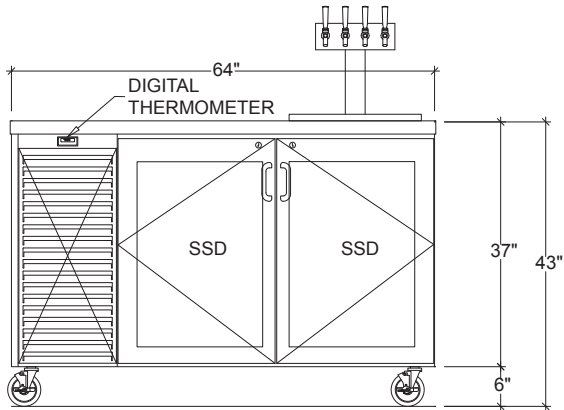
Proudly Made in America

37" HIGH BACKBAR BEER KEG

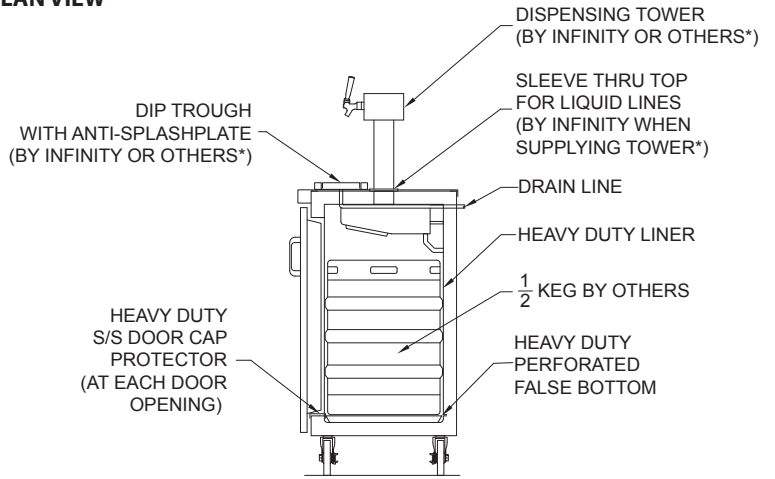


PLAN VIEW

*** NOTE:** Factory can provide and install an infinite variety of dispensing towers with drip tray or it can be supplied by others. Please contact factory for details



ELEVATION



SECTION

MODEL SHOWN: IBCKS-2D-SSD-LC-LR

REMOTE UNITS									
MODEL	LENGTH	VOLTS	TOTAL AMPS	MIN. CIRC. BKT.	PHASE	MAX CIRC. BKT.	BTU'S	WEIGHT	CAPACITY
IBCKR-1D	25"	115v	1.3	1.6A	1ph	15A	461	292	(3) 1/6 KEG, (1) 1/4 SLIM KEG (1) 1/4 SHORT KEG, (1) 50 LITER KEG
IBCKR-2D	48"	115v	1.8	2.2A	1ph	15A	966	370	(4) 1/6 KEG, (2) 1/4 SLIM KEG, (2) 1/4 SHORT KEG, (2) 50 LITER KEG
IBCKR-3D	72"	115v	2.2	2.8A	1ph	15A	1493	430	(6) 1/6 KEG, (3) 1/4 SLIM KEG, (3) 1/4 SHORT KEG, (3) 50 LITER KEG, (3) 1/2 KEG
IBCKR-4D	96"	115v	2.7	3.4A	1ph	15A	2064	500	(8) 1/6 KEG, (6) 1/4 SLIM KEG, (4) 1/4 SHORT KEG, (4) 50 LITER KEG, (4) 1/2 KEG

SELF-CONTAINED UNITS										
MODEL	LENGTH	H.P.	VOLTS	TOTAL AMPS	MIN. CIRC. BKT.	PHASE	MAX CIRC. BKT.	BTU'S	WEIGHT	CAPACITY
IBCKS-1D	41"	1/3HP	115v	8.2	10.3A	1ph	15A	461	520	(3) 1/6 KEG, (1) 1/4 SLIM KEG (1) 1/4 SHORT KEG, (1) 50 LITER KEG
IBCKS-2D	64"	1/3HP	115v	8.7	10.9A	1ph	15A	966	630	(4) 1/6 KEG, (2) 1/4 SLIM KEG, (2) 1/4 SHORT KEG, (2) 50 LITER KEG
IBCKS-3D	88"	1/3HP	115v	9.1	11.4A	1ph	15A	1493	690	(6) 1/6 KEG, (3) 1/4 SLIM KEG, (3) 1/4 SHORT KEG, (3) 50 LITER KEG, (3) 1/2 KEG
IBCKS-4D	112"	1/3HP	115v	9.6	12.0A	1ph	15A	2064	1030	(8) 1/6 KEG, (6) 1/4 SLIM KEG, (4) 1/4 SHORT KEG, (4) 50 LITER KEG, (4) 1/2 KEG

KEG SIZES	DIAMETER	HEIGHT
1/6 KEG	10"	23-1/2"
1/4 SLIM KEG	11-3/4"	23-1/2"
1/4 SHORT KEG	17-3/4"	14-3/4"
1/2 KEG	17-3/4"	23-1/2"
50 LITER KEG	17-3/4"	20-1/4"