



Model IBCRS-3D-SSD-LRR-RC-ST

37" HIGH BACKBAR

PROJECT: _____

ITEM NUMBER: _____ **QTY:** _____

37" HIGH BACKBAR

MODELS

REMOTE

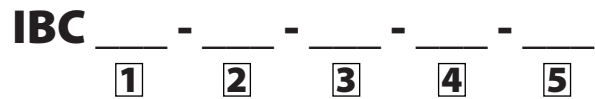
- IBCRR-1D IBCRR-3D
- IBCRR-2D IBCRR-4D

SELF-CONTAINED UNITS

- IBCRS-1D IBCRS-3D
- IBCRS-2D IBCRS-4D

MODEL CONFIGURATION

Example: **IBCRS-2D-SSD-LC-RL**



STANDARD FEATURES

- All Heli-arc welded construction
- All 18 gauge type 304 stainless steel interior and exterior
- CFC-Free "shot-in-place" insulation
- Door actuated interior lights
- Magnetic door gasket
- Easy clean with 3/8 radius interior corners
- Heavy duty breaker strip 'foam-locked' in position
- Pre-wired internal flexible conduit to a single point connection
- Stainless steel wire shelves
- Door Lock(s)
- Polished heavy duty pull handle
- Blower coil fully equipped with expansion valve, thermostat and solenoid valve (on remote units)
- Self-contained units supplied with compressor compartment with condensing unit, condensate expansion pan, cord and plug

1	RR = Remote RS = Self-Contained
2	1D = 1 Door 2D = 2 Door 3D = 3 Door 4D = 4 Door
3	SSD = Stainless Steel Door GD = Glass Door LD = Laminated Door (Pricing Varies) FLD = Field Laminated Door (Plywood Door) PC = Powder Coated Door
4	(On Self-Contained Units) LC = Condensing Compartment on Left Side RC = Condensing Compartment on Right Side
5	(Door Hinged Starting on the Left) L = Right Hinged R = Left Hinged

OPTIONS

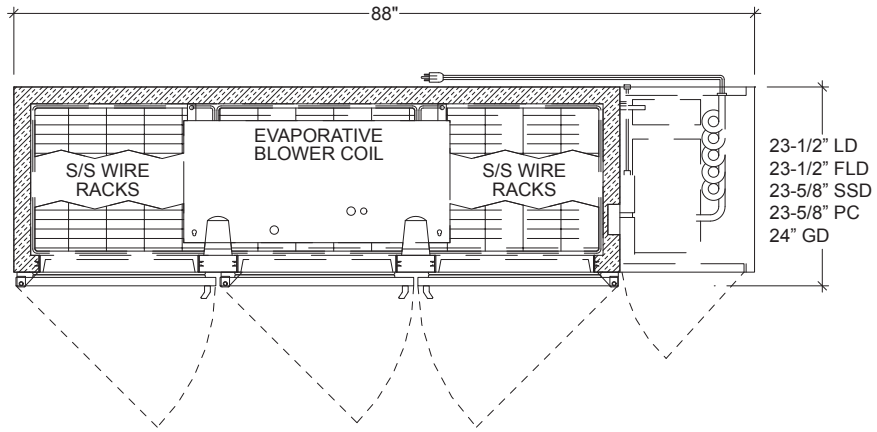
- CL** 6" high stainless steel adjustable legs
- CS4** 4" Heavy Duty Casters
- CS6** 6" Heavy Duty Casters
- DT** Dual Temp
- F** Freezer
- KR** Kick Rail
- M** Modified - Custom
- RW** Red Wine
- ST** Stainless Steel Top
- WW** White Wine



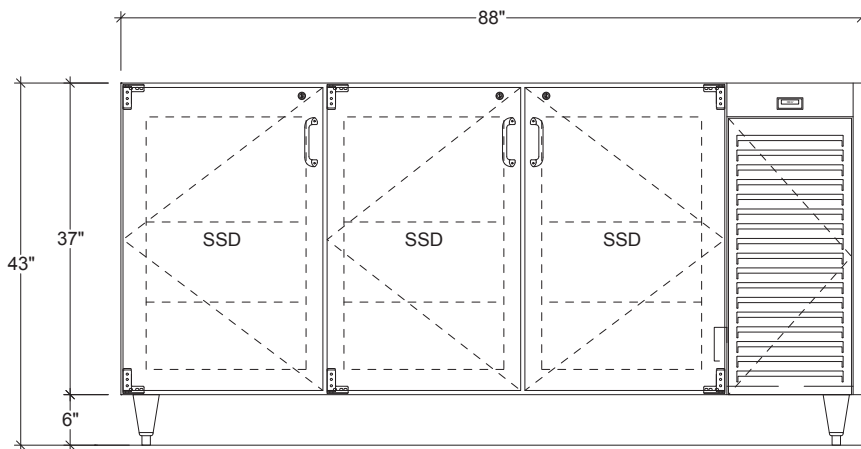
INFINITY KITCHEN PRODUCTS, INC.

7750 Scout Ave. • Bell Gardens, CA 90201
 Toll Free: (855) 737-4688 • Ph: (562) 806-5771 • Fax: (562) 806-6771
 infinitystainless.com • customerservice@infinitystainless.com

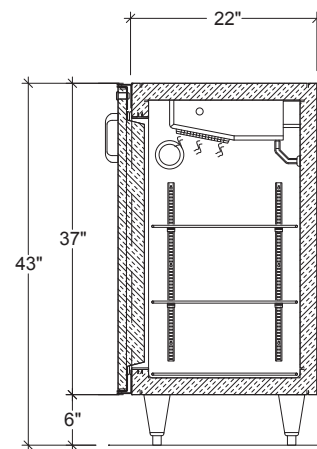
37" HIGH BACKBAR



PLAN VIEW



ELEVATION



SECTION

MODEL SHOWN IBCRS-3D-SSD-RC-LLR

REMOTE						
MODEL	LENGTH	VOLTS	AMPS	PHASE	BTU'S	WEIGHT
IBCRR-1D	25"	115v	1.67	1ph	625	292
IBCRR-2D	48"	115v	2.1	1ph	1200	370
IBCRR-3D	72"	115v	2.9	1ph	1800	430
IBCRR-4D	96"	115v	4.48	1ph	2400	500

SELF-CONTAINED UNITS							
MODEL	LENGTH	H.P	VOLTS	AMPS	PHASE	BTU'S	WEIGHT
IBCRS-1D	41"	1/3 HP	115v	8.55	1ph	625	520
IBCRS-2D	64"	1/3 HP	115v	8.98	1ph	1200	630
IBCRS-3D	88"	1/3 HP	115v	9.78	1ph	1800	690
IBCRS-4D	112"	1/3 HP	115v	11.6	1ph	2400	1030

INFINITY KITCHEN PRODUCTS, INC.

7750 Scout Ave. • Bell Gardens, CA 90201
 Toll Free: (855) 737-4688 • Ph: (562) 806-5771 • Fax: (562) 806-6771
 infinitystainless.com • customerservice@infinitystainless.com

*Proudly Made
 in America*