



Model IBLRR-6DPN-ST-SSD-RC-LLR-LRR

32" PASS THRU BACKBAR

PROJECT: _____

ITEM NUMBER: _____ **QTY:** _____

32" PASS THRU BACKBAR

MODELS

REMOTE UNITS- 30" BODY DEPTH (PN)

- IBLRR-2DPN IBLRR-6DPN
- IBLRR-4DPN IBLRR-8DPN

SELF-CONTAINED UNITS - 30" BODY DEPTH (PN)

- IBLRS-2DPN IBLRS-6DPN
- IBLRS-4DPN IBLRS-8DPN

REMOTE UNITS -36" BODY DEPTH (PD)

- IBLRR-2DPD IBLRR-6DPD
- IBLRR-4DPD IBLRR-8DPD

SELF-CONTAINED UNITS - 36" BODY DEPTH (PD)

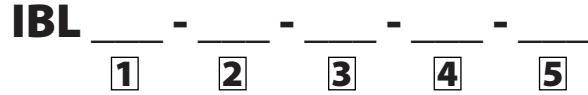
- IBLRS-2DPD IBLRS-6DPD
- IBLRS-4DPD IBLRS-8DPD

STANDARD FEATURES

- All Heliarc welded construction
- All 18-Gauge, Type 304 stainless steel interior and exterior
- Easy clean with 3/8 radius interior corners
- CFC-Free "shot-in-place" insulation
- Door actuated interior light(s)
- Stainless steel wire shelves
- Magnetic door gasket
- Heavy duty breaker strip 'foam-locked' in position
- Pre-wired internal flexible conduit to a single point connection
- Blower coil fully equipped with expansion valve, thermostat and solenoid valve (on remote units)
- Self-contained units supplied with compressor compartment with condensing unit, condensate expansion pan, cord and plug
- Polished heavy duty door pulls
- Door Lock(s)

MODEL CONFIGURATION

Example: **IBLRS-6DPN-SSD-RC-LLR-LRR**



1	RR = Remote RS = Self-Contained
2	2D = Two Doors NOTE: 4D = Four Doors PN = 30" DEEP 6D = Six Doors PD = 36" DEEP 8D = Eight Doors
3	SSD = Stainless Steel Door GD = Glass Door LD = Laminated Door (Pricing Varies) FLD = Field Laminated Door (Plywood Door) PC = Powder Coated Door (Pricing Varies)
4	(On Self-Contained Units) LC = Condensing Compartment on Left Side RC = Condensing Compartment on Right Side
5	(Door Hinged Starting on the Front Left Side) L = Right Hinged R = Left Hinged

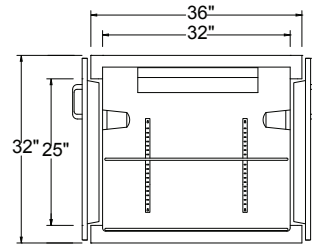
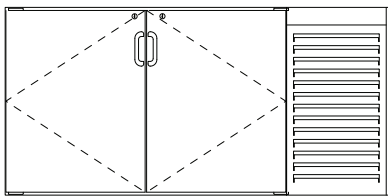
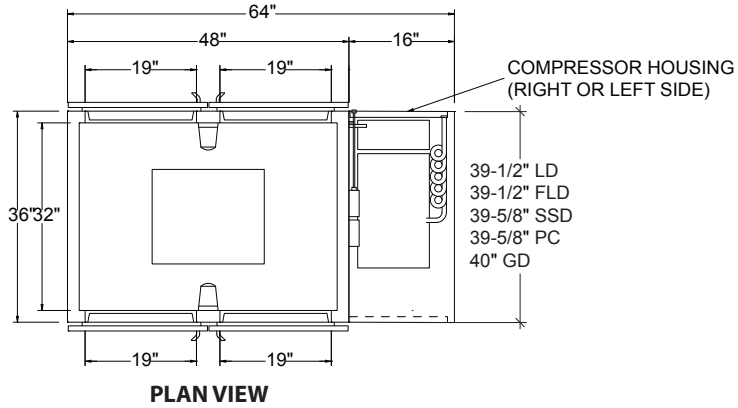
OPTIONS

- CL** 6" high stainless steel adjustable legs
- CS4** 4" Heavy Duty Casters
- CS6** 6" Heavy Duty Casters
- DT** Dual Temp
- F** Freezer
- KR** Kick Rail
- RW** Red Wine
- ST** Stainless Steel Top
- WW** White Wine
- M** Modified - Custom



INFINITY KITCHEN PRODUCTS, INC.
 7750 Scout Ave. • Bell Gardens, CA 90201
 Toll Free: (855) 737-4688 • Ph: (562) 806-5771 • Fax: (562) 806-6771
 infinitystainless.com • customerservice@infinitystainless.com

32" PASS THRU BACKBAR



MODEL SHOWN: IBLRS-4DPD

30" BODY DEPTH REMOTE UNITS

MODEL	LENGTH	VOLTS	TOTAL AMPS	MIN. CIRCUIT BRACKET	PHASE	MAX CIRCUIT BRACKET	BTU'S	WEIGHT
IBLRR-2DPND	25"	115v	2.45	3.1A	1ph	15A	930	272
IBLRR-4DPND	48"	115v	3.35	4.3A	1ph	15A	1800	350
IBLRR-6DPND	72"	115v	4.9	6.1A	1ph	15A	2700	420
IBLRR-8DPND	96"	115v	6.5	8.1A	1ph	15A	3600	480

30" BODY DEPTH SELF-CONTAINED UNITS

MODEL	LENGTH	H.P	VOLTS	TOTAL AMPS	MIN. CIRCUIT BRACKET	PHASE	MAX CIRCUIT BRACKET	BTU'S	WEIGHT
IBLRS-2DPN	41"	1/3 HP	115v	9.3	11.6A	1ph	15A	930	530
IBLRS-4DPN	64"	1/3 HP	115v	10.23	12.7A	1ph	15A	1800	650
IBLRS-6DPN	88"	1/3 HP	115v	13.5	16.9A	1ph	20A	2700	720
IBLRS-8DPN	112"	1/2 HP	115v	15.1	18.8A	1ph	20A	3600	1070

36" BODY DEPTH REMOTE UNITS

MODEL	LENGTH	VOLTS	TOTAL AMPS	MIN. CIRCUIT BRACKET	PHASE	MAX CIRCUIT BRACKET	BTU'S	WEIGHT
IBLRR-2DP	25"	115v	2.45	3.1A	1ph	15A	975	272
IBLRR-4DP	48"	115v	3.35	4.3A	1ph	15A	1900	350
IBLRR-6DP	72"	115v	4.9	6.1A	1ph	15A	2850	420
IBLRR-8DP	96"	115v	6.5	8.1A	1ph	15A	3780	480

36" BODY DEPTH SELF-CONTAINED UNITS

MODEL	LENGTH	H.P	VOLTS	TOTAL AMPS	MIN. CIRCUIT BRACKET	PHASE	MAX CIRCUIT BRACKET	BTU'S	WEIGHT
IBLRS-2DPD	41"	1/3 HP	115v	9.3	11.6A	1ph	15A	975	530
IBLRS-4DPD	64"	1/3 HP	115v	10.23	12.7A	1ph	15A	1900	650
IBLRS-6DPD	88"	1/3 HP	115v	13.5	16.9A	1ph	20A	2850	720
IBLRS-8DPD	112"	1/2 HP	115v	15.1	18.8A	1ph	20A	3780	1070