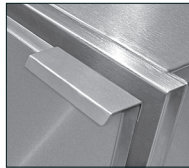




Model IBLRS-3D-SSD-LRR-RC-ST

Edge Mount  
Door Pull  
(optional)



### STANDARD FEATURES

- All Heliarc welded construction
- All 18-Gauge, Type 304 stainless steel interior and exterior
- Easy clean with 3/8 radius interior corners
- CFC-Free "shot-in-place" insulation
- Door actuated interior light(s)
- Stainless steel wire shelves
- Magnetic door gasket
- Heavy duty breaker strip 'foam-locked' in position
- Pre-wired internal flexible conduit to a single point connection
- Blower coil fully equipped with expansion valve, thermostat and solenoid valve (on remote units)
- Self-contained units supplied with compressor compartment with condensing unit, condensate expansion pan, cord and plug
- Polished heavy duty door pulls
- Door Lock(s)



### INFINITY KITCHEN PRODUCTS, INC.

7750 Scout Ave. • Bell Gardens, CA 90201  
 Toll Free: (866) 349-0005 • Ph: (562) 806-5771 • Fax: (562) 806-6771  
 infinitystainless.com • customerservice@infinitystainless.com

**PROJECT:** \_\_\_\_\_  
**ITEM NUMBER:** \_\_\_\_\_ **QTY:** \_\_\_\_\_

## 32" HIGH BACKBAR WITH DOORS

### MODELS

#### REMOTE UNITS

- IBLRR-1D       IBLRR-3D
- IBLRR-2D       IBLRR-4D

#### SELF-CONTAINED UNITS

- IBLRS-1D       IBLRS-3D
- IBLRS-2D       IBLRS-4D

### MODEL CONFIGURATION

Example: **IBLRS-3D-SSD-RC-LRR**



<b>1</b>	<b>RR</b> = Remote <b>RS</b> = Self-Contained
<b>2</b>	<b>1D</b> = One Door <b>2D</b> = Two Door <b>3D</b> = Three Door <b>4D</b> = Four Door
<b>3</b>	<b>SSD</b> = Stainless Steel Door <b>GD</b> = Glass Door <b>LD</b> = Laminated Door (Pricing Varies) <b>FLD</b> = Field Laminated Door (Plywood Door) <b>PC</b> = Powder Coated Door (Pricing Varies)
<b>4</b>	(On Self-Contained Units) <b>LC</b> = Condensing Compartment on Left Side <b>RC</b> = Condensing Compartment on Right Side
<b>5</b>	Door Hinged Starting on the Left) <b>L</b> = Left Hinged <b>R</b> = Right Hinged

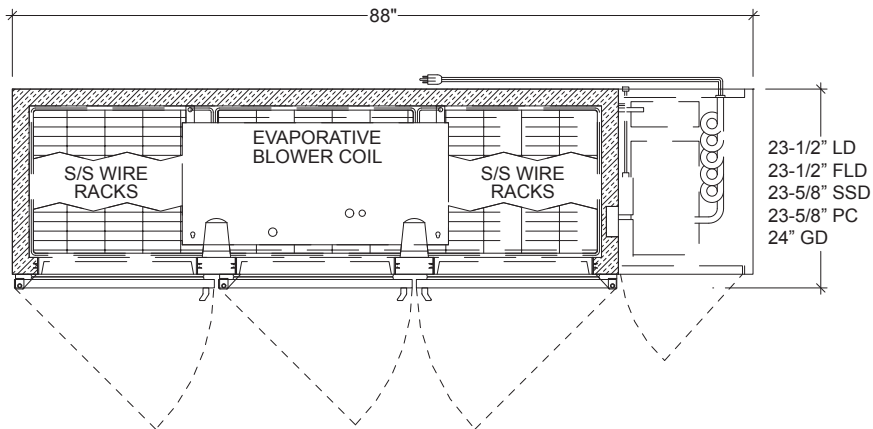
### OPTIONS

- CL** 6" high stainless steel adjustable legs
- CS4** 4" Heavy Duty Casters
- CS6** 6" Heavy Duty Casters
- DT** Dual Temp
- EDP** Edge Mount Door Pull
- F** Freezer
- KR** Kick Rail
- RW** Red Wine Stainless Steel Top
- ST** Stainless Steel Top
- WW** White Wine
- M** Modified - Custom

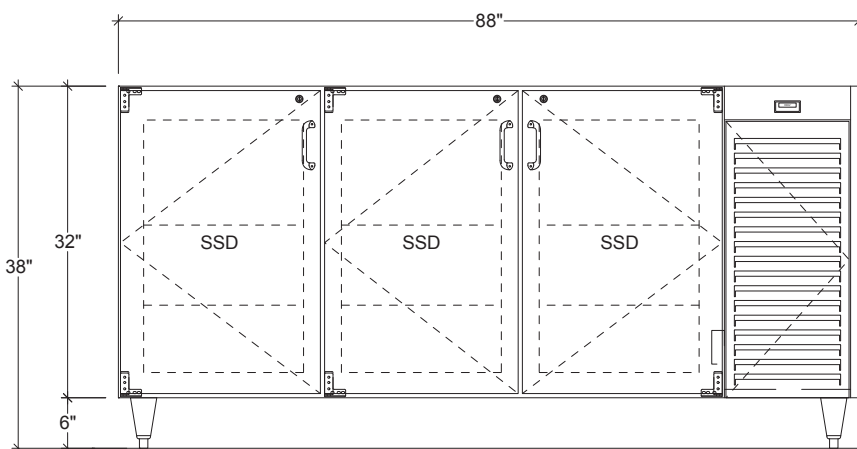
Proudly Made in America

32" HIGH BACKBAR WITH DOORS

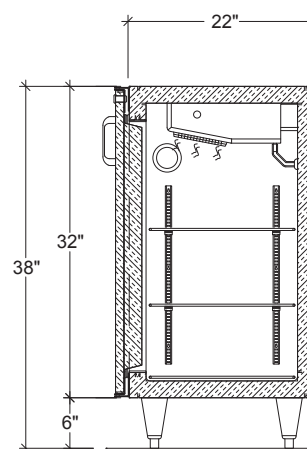
# 32" HIGH BACKBAR WITH DOORS



**PLAN VIEW**



**ELEVATION**



**SECTION**

**MODEL SHOWN IBLRS-3D-SSD-RC-LLR**

REMOTE UNITS								
MODEL	LENGTH	VOLTS	TOTAL AMPS	MIN. CIRCUIT BRACKET	PHASE	MAX CIRCUIT BRACKET	BTU'S	WEIGHT
IBLRR-1D	25"	115v	1.6	2.0A	1ph	15A	437	292
IBLRR-2D	48"	115v	2.0	2.5A	1ph	15A	916	370
IBLRR-3D	72"	115v	4.9	6.1A	1ph	15A	1416	430
IBLRR-4D	96"	115v	5.7	7.1A	1ph	15A	1916	500

SELF-CONTAINED UNITS									
MODEL	LENGTH	H.P	VOLTS	TOTAL AMPS	MIN. CIRCUIT BRACKET	PHASE	MAX CIRCUIT BRACKET	BTU'S	WEIGHT
IBLRS-1D	41"	1/3 HP	115v	8.5	10.6A	1ph	15A	437	520
IBLRS-2D	64"	1/3 HP	115v	8.9	11.1A	1ph	15A	916	630
IBLRS-3D	88"	1/3 HP	115v	11.8	14.8A	1ph	15A	1416	690
IBLRS-4D	112"	1/3 HP	115v	12.6	15.8A	1ph	20A	1416	1030

**INFINITY KITCHEN PRODUCTS, INC.**

7750 Scout Ave. • Bell Gardens, CA 90201  
 Toll Free: (866) 349-0005 • Ph: (562) 806-5771 • Fax: (562) 806-6771  
 infinitystainless.com • customerservice@infinitystainless.com

*Proudly Made  
 in America*