



Model IRRH-4DN-LRRR-CL



Detail of radius corner and tanked bottom

30 x 24" COUNTER HIGH WITH DOORS

PROJECT: _____

ITEM NUMBER: _____ **QTY:** _____

30 x 24" COUNTER HIGH WITH DOORS

MODELS

REMOTE

- IRRH-1DN IRRH-3DN
- IRRH-2DN IRRH-4DN

SELF-CONTAINED UNITS

- IRSH-1DN IRSH-3DN
- IRSH-2DN IRSH-4DN

MODEL CONFIGURATION

Example: **IRRH-4DN-LRRR**

IR - - - - -

1 2 3 4 5

STANDARD FEATURES

- All Heli-arc welded construction
- All 18 gauge type 304 stainless steel interior and exterior
- CFC-Free "shot-in-place" insulation
- Door actuated interior lights
- Magnetic door gasket
- Easy clean with 3/8 radius interior corners
- Heavy duty breaker strip 'foam-locked' in position
- Pre-wired internal flexible conduit to a single point connection
- Two stainless steel wire shelves per section
- Door Lock(s)
- Heavy duty, self closing hinged door
- Blower coil fully equipped with expansion valve, thermostat and solenoid valve (on remote units)
- Self-contained units supplied with compressor compartment with condensing unit, condensate expansion pan, cord and plug

1	RA = Remote SA = Self-Contained
2	1D = 1 Door (One Section) 2D = 2 Door (Two Sections) 3D = 3 Door (Three Sections) 4D = 4 Door (Four Sections)
3	(Door Hinged Starting on the Left) L = Right Hinged R = Left Hinged
4	(On Self-Contained Units) LC = Condensing Compartment on Left Side RC = Condensing Compartment on Right Side

OPTIONS

- CL** 6" High S/S Adjustable Legs
- CR** Patent Pending Air Cooled Pan Rail
- CS4** 4" Heavy Duty Casters
- CS6** 6" Heavy Duty Casters
- DT** Dual Temp Freezer
- F** Freezer
- GD** Glass Doors
- M** Modified - Custom S/S Top Marine All Around
- SM** S/S Top Marine All Around
- ST** Stainless Steel Top

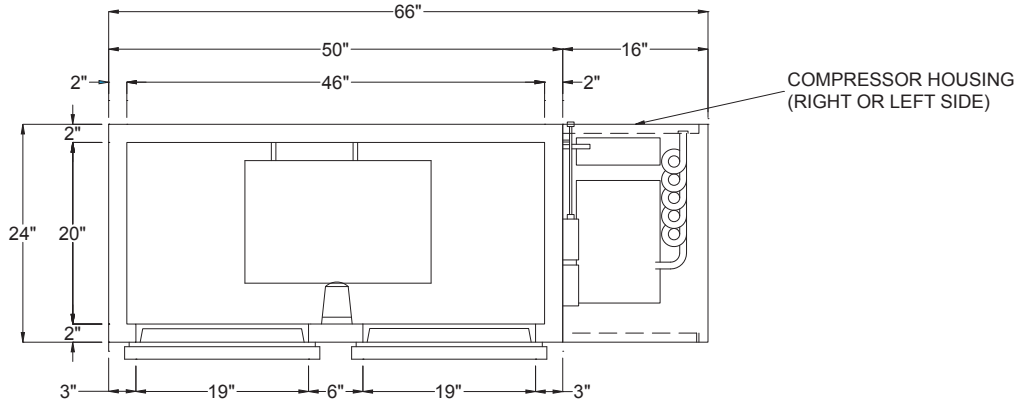


INFINITY KITCHEN PRODUCTS, INC.

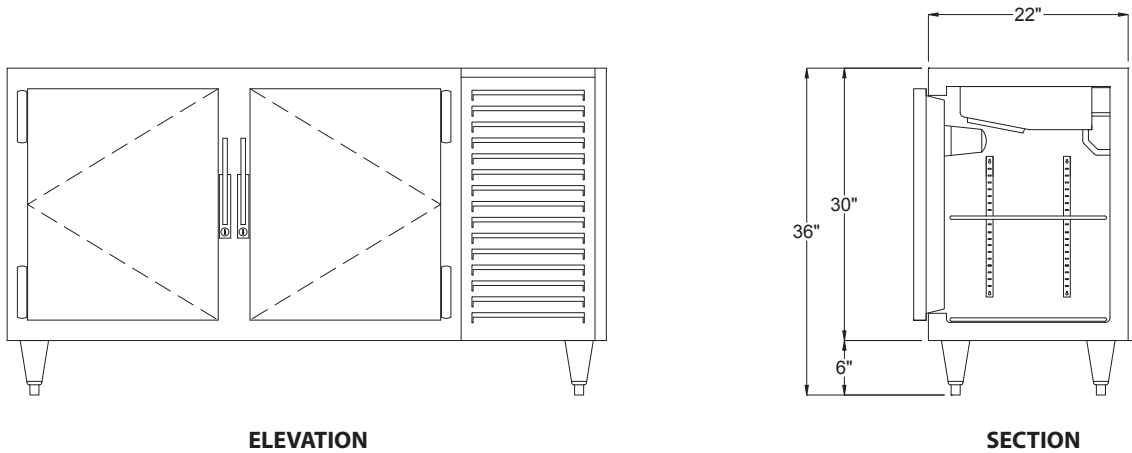
7750 Scout Ave. • Bell Gardens, CA 90201
 Toll Free: (855) 737-4688 • Ph: (562) 806-5771 • Fax: (562) 806-6771
 infinitystainless.com • customerservice@infinitystainless.com

Proudly Made in America

30 x 24" COUNTER HIGH WITH DOORS



PLAN VIEW
MODEL SHOWN: IRSH-2DN



ELEVATION

SECTION

REMOTE UNITS						
MODEL	LENGTH	VOLTS	AMPS	PHASE	BTU'S	WEIGHT
IRRH-1DN	25"	115v	1.34	1ph	540	180
IRRH-2DN	50"	115v	2.2	1ph	1000	235
IRRH-3DN	75"	115v	3.5	1ph	1580	270
IRRH-4DN	100"	115v	3.6	1ph	2100	310

SELF-CONTAINED UNITS							
MODEL	LENGTH	H.P	VOLTS	AMPS	PHASE	BTU'S	WEIGHT
IRSH-1DN	41"	1/3 HP	115v	8.6	1ph	540	330
IRSH-2DN	66"	1/3 HP	115v	9.38	1ph	1000	395
IRSH-3DN	91"	1/3 HP	115v	10.3	1ph	1580	425
IRSH-4DN	116"	1/3 HP	115v	10.3	1ph	2100	470

INFINITY KITCHEN PRODUCTS, INC.

7750 Scout Ave. • Bell Gardens, CA 90201
Toll Free: (855) 737-4688 • Ph: (562) 806-5771 • Fax: (562) 806-6771
infinitystainless.com • customerservice@infinitystainless.com

*Proudly Made
in America*