



BLENDER STATION

MODULAR COMPONENTS

PROJECT _____

ITEM NO. _____



IBSS-18S MODEL SHOWN



STANDARD FEATURES

- All Heli-arc welded construction
- All 18 gauge type 304, 18/8 stainless steel
- Heavy duty stainless steel gussets welded to 14 gauge stainless steel channel supports
- stainless steel adjustable bullet feet
- Front apron of station unifies with front of speed rail on all 'S' and 'D' series units
- Access hole for hidden electrical box
- Premium faucet on models with bowl

MODELS

'S' SERIES COMPONENT

Length	Capacity	Bowl size	Model
<input type="checkbox"/> 12"	1	8" x9" x8"	IBSS-12S
<input type="checkbox"/> 14"	2	9.1/2" x11" x8"	IBSS-14S
<input type="checkbox"/> 18"	2	10" x14" x10"	IBSS-18S
<input type="checkbox"/> 21"	3	10" x14" x10"	IBSS-21S
<input type="checkbox"/> 24"	3	10" x14" x10"	IBSS-24S

'D' SERIES COMPONENT

Length	Capacity	Bowl size	Model
<input type="checkbox"/> 12"	1	8" x9" x8"	IBSD-12S
<input type="checkbox"/> 14"	2	9.1/2" x11" x6"	IBSD-14S
<input type="checkbox"/> 18"	2	10" x14" x10"	IBSD-18S
<input type="checkbox"/> 21"	3	10" x14" x10"	IBSD-21S
<input type="checkbox"/> 24"	3	10" x14" x10"	IBSD-24S

'S' SERIES COMPONENT WITHOUT BOWL

Length	Capacity	Model
<input type="checkbox"/> 12"	1	IBSS-12
<input type="checkbox"/> 14"	2	IBSS-14
<input type="checkbox"/> 18"	2	IBSS-18
<input type="checkbox"/> 21"	3	IBSS-21
<input type="checkbox"/> 24"	3	IBSS-24

'D' SERIES COMPONENT WITHOUT BOWL

Length	Capacity	Model
<input type="checkbox"/> 12"	1	IBSD-12
<input type="checkbox"/> 14"	2	IBSD-14
<input type="checkbox"/> 18"	2	IBSD-18
<input type="checkbox"/> 21"	3	IBSD-21
<input type="checkbox"/> 24"	3	IBSD-24

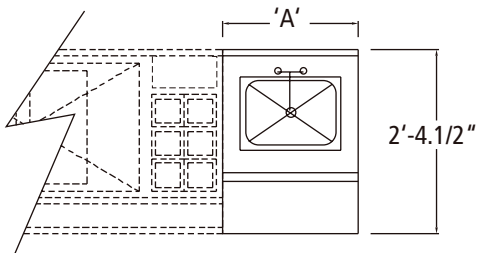
OPTIONS

- LS Lift Out Dump Sink Strainer
- HS Hot Spray Faucet with Adapter Ring
- CB Cabinet Base
- M Modified - Custom
- SBF Special Brand Faucet Available Upon Request

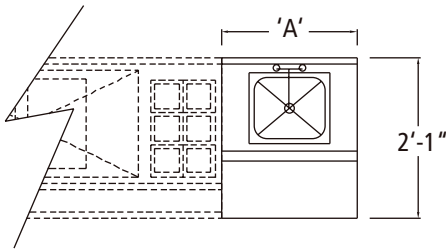


BLENDER STATION

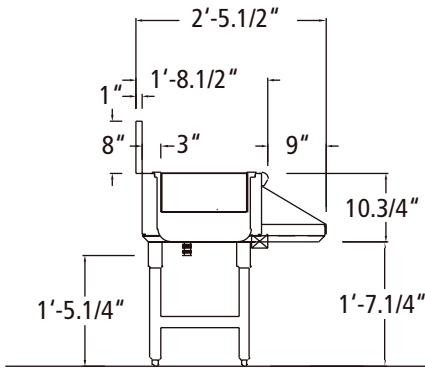
MODULAR COMPONENTS



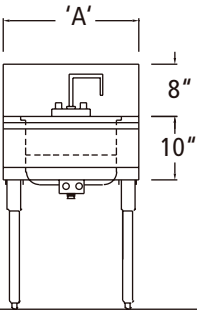
"D" SERIES PLAN



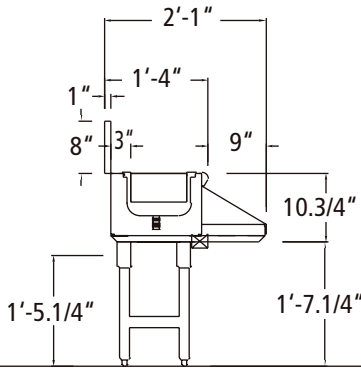
"S" SERIES PLAN



"D" SERIES SECTION



ELEVATION



"S" SERIES SECTION

NOTE: BLENDER CAPACITY IS BASED ON STANDARD SIZE BLENDER

'S' SERIES COMPONENT WITH BOWL						
LENGTH	DEPTH	CAPACITY	BOWL SIZE	MODEL No.	WEIGHT	CUBE
12"	23	1	8" X 9" X 8"	IBSS-12S	55	4
14"	23	2	9.1/2 X 11" X 8"	IBSS-14S	60	4
18"	23	2	10" X 14 X 10"	IBSS-18S	65	6
21"	23	3	10" X 14 X 10"	IBSS-21S	70	6
24"	23	3	10" X 14 X 10"	IBSS-24S	75	8

'S' SERIES COMPONENT WITHOUT BOWL						
LENGTH	DEPTH	CAPACITY	MODEL No.	WEIGHT	CUBE	
12"	23	1	IBSS-12	55	4	
14"	23	2	IBSS-14	60	4	
18"	23	2	IBSS-18	65	6	
21"	23	3	IBSS-21	70	6	
24"	23	3	IBSS-24	75	8	

'D' SERIES COMPONENT WITH BOWL						
LENGTH	DEPTH	CAPACITY	BOWL SIZE	MODEL No.	WEIGHT	CUBE
12"	29.1/2	1	8" X 9" X 8"	IBSD-12S	55	4
14"	29.1/2	2	9.1/2 X 11" X 8"	IBSD-14S	60	4
18"	29.1/2	2	10" X 14 X 10"	IBSD-18S	65	6
21"	29.1/2	3	10" X 14 X 10"	IBSD-21S	70	6
24"	29.1/2	3	10" X 14 X 10"	IBSD-24S	75	8

'D' SERIES COMPONENT WITHOUT BOWL						
LENGTH	DEPTH	CAPACITY	MODEL No.	WEIGHT	CUBE	
12"	29.1/2	1	IBSD-12	55	4	
14"	29.1/2	2	IBSD-14	60	4	
18"	29.1/2	2	IBSD-18	65	6	
21"	29.1/2	3	IBSD-21	70	6	
24"	29.1/2	3	IBSD-24	75	8	

UTILITIES FOR COMPONENTS WITH BOWL		
COLD WATER	HOT WATER	DRAIN
1 x 1/2" COLD	1 x 1/2" HOT	1 x 1.1/2"

ELECTRICAL		
MODEL NO.	115 V RECEPTACLES	AMPS
IBS 12,14 & 18	2 (TWO) EACH	10 AMPS
IBS 21,24	(FOUR) EACH	20 AMPS