

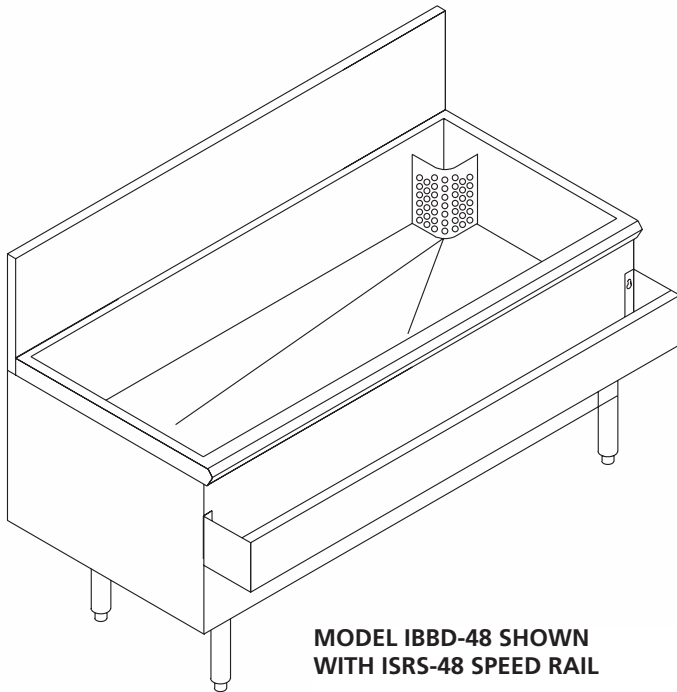


# ICE BATH

## MODULAR COMPONENTS

PROJECT \_\_\_\_\_

ITEM NO. \_\_\_\_\_



**MODEL IBBD-48 SHOWN WITH ISRS-48 SPEED RAIL**



### STANDARD FEATURES

- All Heli-arc welded construction
- All 18 gauge type 304, 18/8 stainless steel
- Attractive high polished bullnose edge to front
- Polyurethane 'shot-in-place' insulation
- 9" deep ice bin
- 1" drain
- Easy clean bin with 3/8" radius interior corners
- Corner located stand pipe over flow with stainless steel guard

### MODELS

#### 'S' SERIES 20.1/2" DEEP

| Length                       | Ice Capacity | Model   |
|------------------------------|--------------|---------|
| <input type="checkbox"/> 30" | 65#          | IBBS-30 |
| <input type="checkbox"/> 36" | 75#          | IBBS-36 |
| <input type="checkbox"/> 42" | 90#          | IBBS-42 |
| <input type="checkbox"/> 48" | 105#         | IBBS-48 |

#### 'D' SERIES 24" DEEP

|                              |      |         |
|------------------------------|------|---------|
| <input type="checkbox"/> 30" | 78#  | IBBD-30 |
| <input type="checkbox"/> 36" | 95#  | IBBD-36 |
| <input type="checkbox"/> 42" | 110# | IBBD-42 |
| <input type="checkbox"/> 48" | 130# | IBBD-48 |

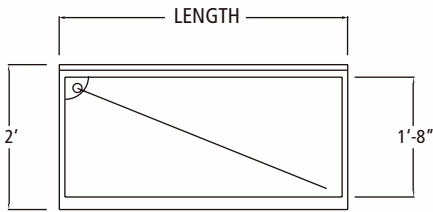
### OPTIONS

- CB Cabinet Base
- M Modified - Custom
- ISRS Single Speed Rail
- ISRD Double Speed Rail

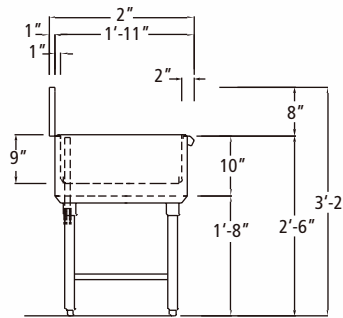


# ICE BATH

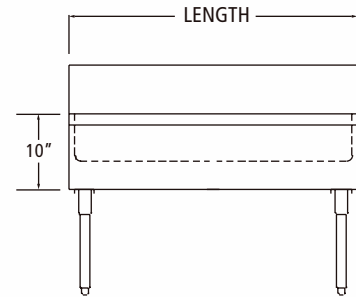
## MODULAR COMPONENTS



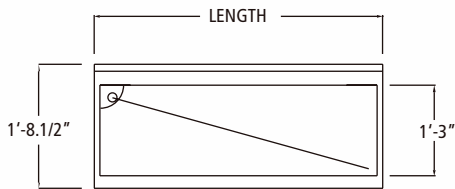
**"D" SERIES PLAN**



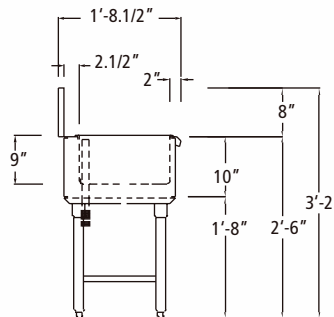
**"D" SERIES SECTION**



**TYPICAL ELEVATION**



**"S" SERIES PLAN**



**"S" SERIES SECTION**

| <b>S' SERIES 20.1/2" DEEP</b> |              |           |        |      |
|-------------------------------|--------------|-----------|--------|------|
| LENGTH                        | ICE CAPACITY | MODEL No. | WEIGHT | CUBE |
| 30"                           | 65#          | IBBS-30   | 90     | 18   |
| 36"                           | 75#          | IBBS-36   | 115    | 24   |
| 42"                           | 90#          | IBBS-42   | 150    | 24   |
| 48"                           | 105#         | IBBS-48   | 185    | 30   |

| <b>'D' SERIES 24" DEEP</b> |              |           |        |      |
|----------------------------|--------------|-----------|--------|------|
| LENGTH                     | ICE CAPACITY | MODEL No. | WEIGHT | CUBE |
| 30"                        | 78#          | IBBD-30   | 90     | 18   |
| 36"                        | 95#          | IBBD-36   | 115    | 24   |
| 42"                        | 110#         | IBBD-42   | 150    | 24   |
| 48"                        | 130#         | IBBD-48   | 185    | 30   |

**UTILITIES**

**DRAIN**

1 x 1"