

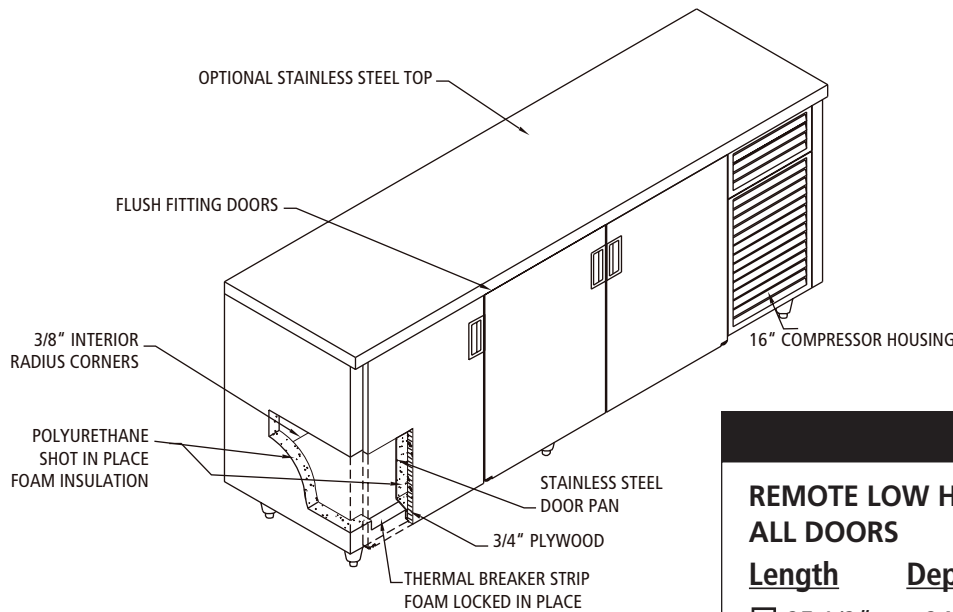


32" HIGH BACKBAR

MODULAR COMPONENTS

PROJECT _____

ITEM NO. _____



Detail of radius corner and tanked bottom



MODELS

REMOTE LOW HEIGHT - 32" BODY HEIGHT ALL DOORS

Length	Depth	#Sections	Model
<input type="checkbox"/> 25.1/2"	24"	1	IBLRR-1D
<input type="checkbox"/> 48"	24"	2	IBLRR-2D
<input type="checkbox"/> 72"	24"	3	IBLRR-3D
<input type="checkbox"/> 96"	24"	4	IBLRR-4D

SELF CONTAINED LOW HEIGHT REFRIGERATORS ALL DOORS

Length	Depth	#Sections	Model
<input type="checkbox"/> 40.1/2"	24"	1	IBLRS-1D
<input type="checkbox"/> 63"	24"	2	IBLRS-2D
<input type="checkbox"/> 87"	24"	3	IBLRS-3D
<input type="checkbox"/> 111"	24"	4	IBLRS-4D

STANDARD FEATURES

- All Heli-arc welded construction
- All 18 gauge type 304, 18/8 stainless steel interiors and doors
- Polyurethane "shot-in-place" insulation
- Door actuated interior lights
- Magnetic door gasket
- Easy clean with 3/8 radius interior corners
- Heavy duty breaker strip 'foam-locked' in position
- Pre-wired internal flexible conduit to a single point connection

OPTIONS

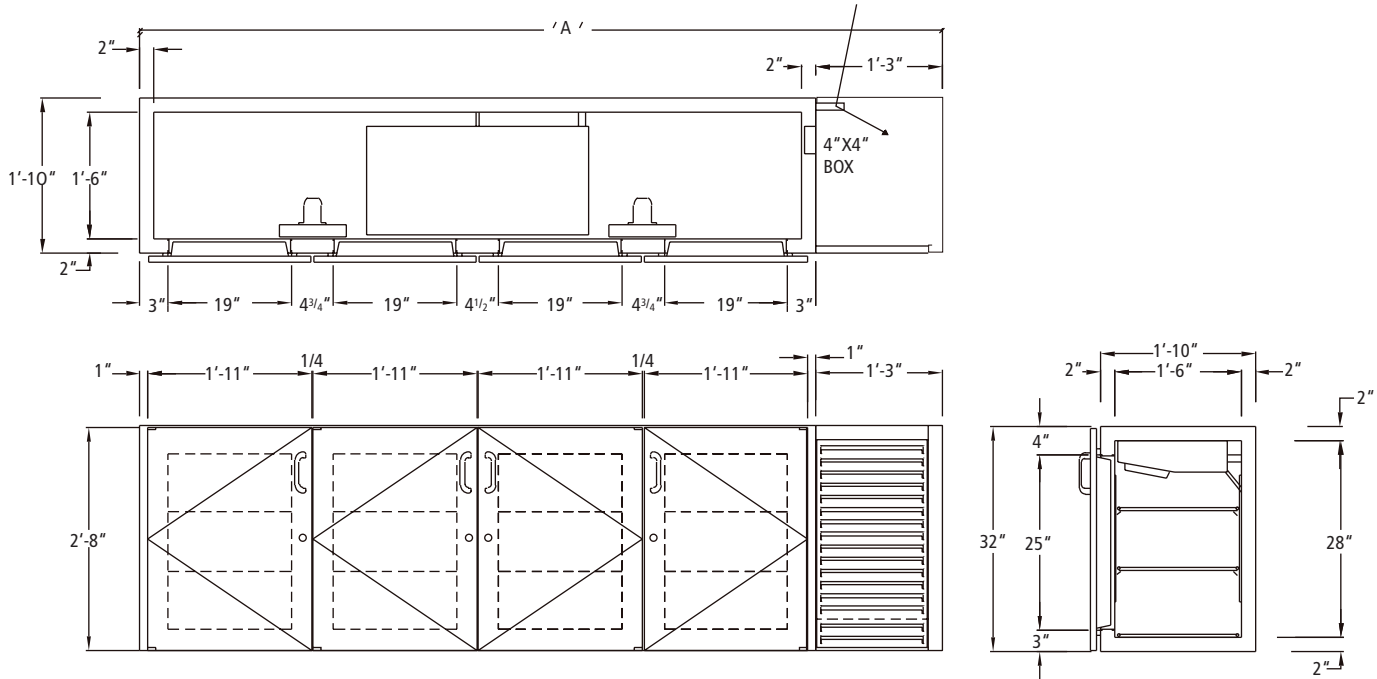
- F Freezer
- FLD Field Laminated Door
- ST Stainless Steel Top
- DS Dry Storage
- LD Laminated Doors
- GD Glass Doors
- SSD Stainless Steel Doors
- SWS Stainless Steel Wire Shelves
- CS Heavy Duty Casters
- CL 6" High Counter Legs
- DL Door locks (Each)
- SSP Stainless Steel Side Panels (Each)
- SSR Stainless Steel Rear Panel
- SSB Stainless Steel Bottom Panel
- M Modified - Custom



32" HIGH BACKBAR

MODULAR COMPONENTS

COMPRESSOR HOUSING REFRIGERATION AND DRAIN LINE STUB-OUTS (RIGHT OR LEFT SIDE)



BACKBAR REFRIGERATORS 32" BODY HEIGHT

SELF CONTAINED								
MODEL	DIMENSION 'A'	H.P	VOLTS	AMPS	PHASE	BTU'S	WEIGHT	CUBE
IBLRS-1D	40.1/2"	1/4 HP	115v	8.9	1ph	1000	490	35
IBLRS-2D	63"	1/4 HP	115v	9.3	1ph	1300	590	51
IBLRS-3D	87"	1/3 HP	115v	10.3	1ph	1700	640	68
IBLRS-4D	111"	1/3 HP	115v	11.8	1ph	2300	970	86

REMOTE UNITS							
MODEL	DIMENSION 'A'	VOLTS	AMPS	PHASE	BTU'S	WEIGHT	CUBE
IBLRR-1D	25.1/2"	115v	1.3	1ph	1000	262	21
IBLRR-2D	48"	115v	1.7	1ph	1300	330	38
IBLRR-3D	72"	115v	2.3	1ph	1700	380	55
IBLRR-4D	96"	115v	3.7	1ph	2300	440	73