



30" COUNTER HIGH w/DOORS

MODULAR COMPONENTS

PROJECT _____

ITEM NO. _____



Model BRRH-3-3D shown with raised rail & cutting board and cutting board

Detail of radius corner and tanked bottom



STANDARD FEATURES

- All Heli-arc welded construction
- All 18 gauge 304, 18/8 stainless steel interiors front face doors and door backs
- Polyurethane 'shot-in-place' insulation
- 3/8" interior corners
- Polypropylene breaker strip is foamed-locked in-place using no mechanical fasteners
- High compression non-magnetic vinyl door/drawer gasket
- Self-closing door hinges
- Door latch Kason
- Pre-wired electrical conduit is internally installed within inner and outer walls
- Oversized blower coil with expansion valve, thermostat and solenoid valves
- Adjustable wire shelves

MODELS

REMOTE COUNTER HIGH - 30" BODY HEIGHT FOR 4" CURB ALL DOORS

Length	Depth	#Sections	Model
<input type="checkbox"/> 26"	32"	1	IRRH-1-1D
<input type="checkbox"/> 51"	32"	2	IRRH-2-2D
<input type="checkbox"/> 76"	32"	3	IRRH-3-3D
<input type="checkbox"/> 101"	32"	4	IRRH-4-4D

SELF CONTAINED COUNTER HIGH - 30" BODY HEIGHT FOR 4" CURB ALL DOORS

Length	Depth	#Sections	Model
<input type="checkbox"/> 44"	32"	1	IRSH-1-1D
<input type="checkbox"/> 69"	32"	2	IRSH-2-2D
<input type="checkbox"/> 98"	32"	3	IRSH-3-3D
<input type="checkbox"/> 123"	32"	4	IRSH-4-4D

OPTIONS

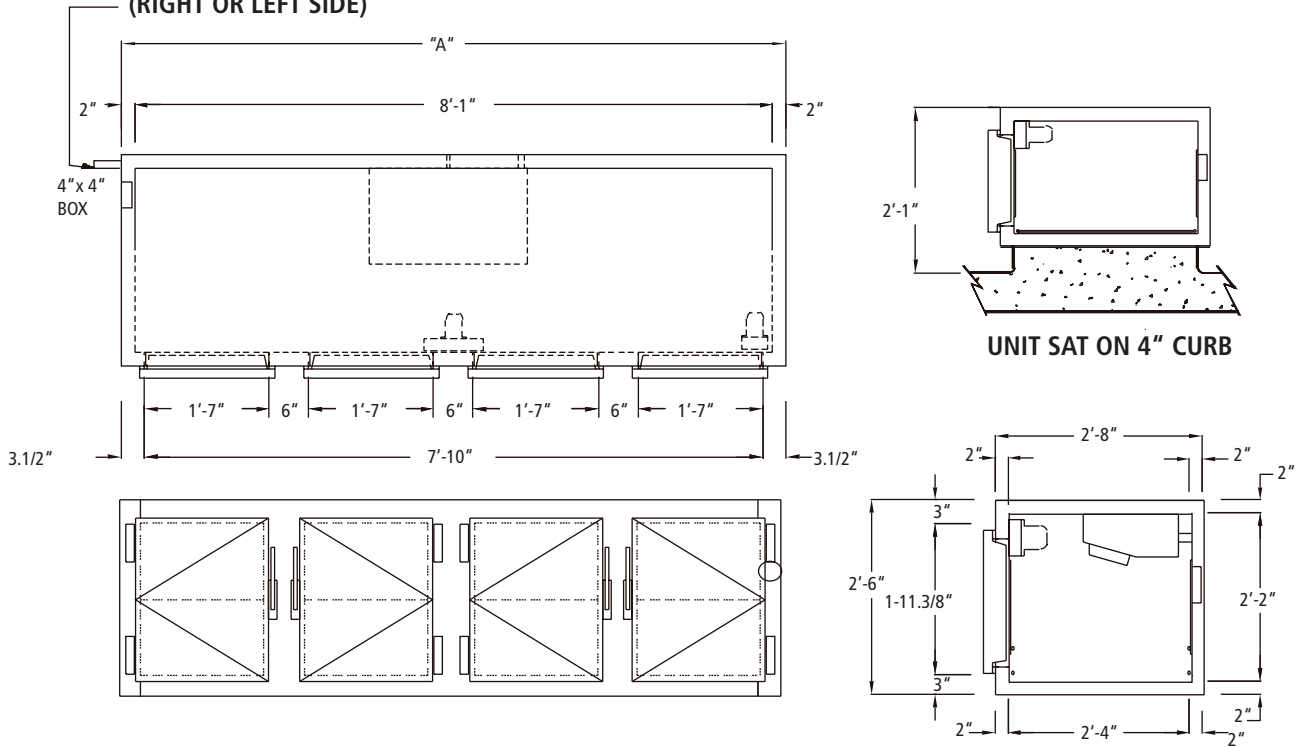
- F Freezer
- SSPR Stainless Steel Right End Panel
- SSP Stainless Steel Left End Panel
- ASSP All Stainless Steel Including Ends, Back and Bottom
- CO Cut-out in top
Specify Pan Size and Quantity)
- ST Stainless Steel Top
- NC Night Covers
- SSC Security Screen for Top Opening
- SWS Stainless Steel Wire Racks
- GD Glass Doors
- TS Tray Slide Assembly for 18x26 Trays
(Specify Sections)
- CS Casters
- PLD Locking Padlock Assembly for Doors
- DT Dual Temp. Base
- M Modified - Custom
- 38CP NSF7 Cold Pan Front Wall
Air Diversion System
Maintains 38-Degree Product in
(Specify Pan Size and Quantity)
Available on Counter High and Plate shelf
Bases Only
- MG Magnetic Gasket



30" COUNTER HIGH w/DOORS

MODULAR COMPONENTS

REFRIGERATION AND DRAIN LINE STUB-OUTS (RIGHT OR LEFT SIDE)



COUNTER HIGH REFRIGERATORS 30" BODY HEIGHT

SELF CONTAINED ALL DOORS								
MODEL	DIMENSION 'A'	H.P	VOLTS	AMPS	PHASE	BTU'S	WEIGHT	CUBE
IRSH-1-1D	44"	1/4 HP	115v	8.8	1ph	1000	330	27
IRSH-2-2D	69"	1/4 HP	115v	9.1	1ph	1000	395	41
IRSH-3-3D	98"	1/3 HP	115v	10.1	1ph	1300	425	57
IRSH-4-4D	123"	1/3 HP	115v	10.1	1ph	1700	470	71

REMOTE UNITS ALL DOORS							
MODEL	DIMENSION 'A'	VOLTS	AMPS	PHASE	BTU'S	WEIGHT	CUBE
IRRH-1-1D	26"	115v	1.2	1ph	1000	180	17
IRRH-2-2D	51"	115v	1.7	1ph	1000	235	31
IRRH-3-3D	76"	115v	2.3	1ph	1300	270	44
IRRH-4-4D	101"	115v	2.3	1ph	1700	310	58